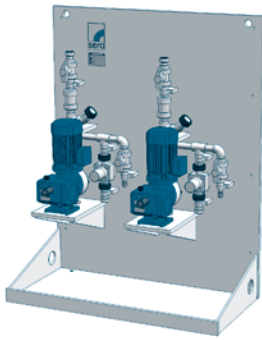


CVD 2 - ...



CVD 2 in survey

- The most modern pump technology
- Standardized mounting plates
- Space-saving wall mounting
- Wide application range
- High safety standard
- Large range of capacity
- High dosing accuracy
- Easy to operate
- Low maintenance
- Complete accessory programme

Infobox

Order informations [Page 1.17](#)
Options/Accessories [Page 1.17](#)

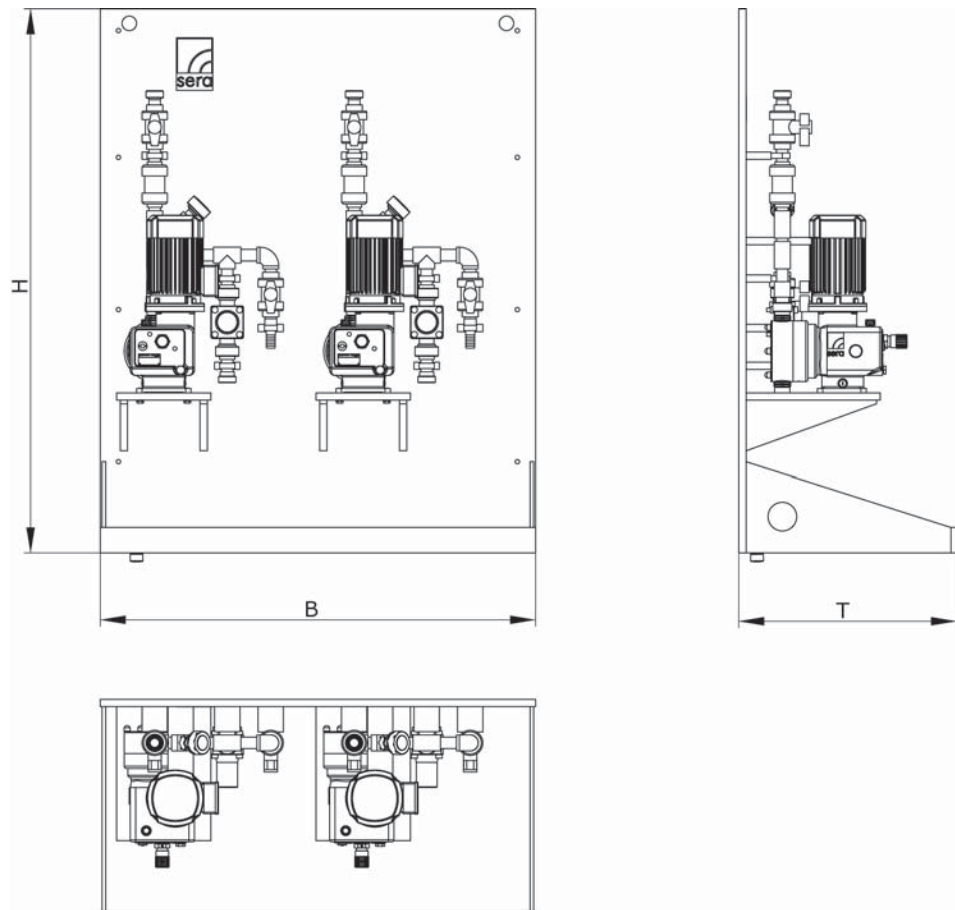
Resistance chart [Chapter 5](#)
Installation examples [Chapter 5](#)

Technical data

Type	Conveying capacity		permissible counterpressure		permissible suction height mWC	Quantity pumps	Pump-series
	(up to) l/h	(up to) gal/h	(up to) bar	(up to) psi			
CVD 2 - 60.1	2 x 60	2 x ~15	10	145	up to 3	2	R/C 204.1-0,4e ... R/RF/C 409.2-60
CVD 2 - 550.1	2 x 550	2 x ~141	8	116	up to 3	2	R/RF/C 409.2-75 ... R/RF/C 410.2-510
CVD 2 - 1500.1	2 x 1450	2 x ~374	5	72,5	up to 5	2	R/RF/C 410.2-570 ... R/RF/C 410.2-1450

Dimensional drawing for application example

Application example
(basic design)



Dimensional chart

Indications in mm / inch

Type	B		T		H	
	mm	in	mm	in	mm	in
CVD 2 - 60.1	1200	47,24	600	23,62	1500	59,06
CVD 2 - 550.1	1200	47,24	600	23,62	1500	59,06
CVD 2 - 1500.1	1200	47,24	600	23,62	1500	59,06

Order informations

Basic design

CVD 2

- 2 diaphragm pumps
- 2-way-ball cock on pressure side (shut-off + draining)
- Diaphragm relief valve
- Mounting plates made of PP (with drip pan)
- Pipework pressure side, made of PVC-U or PP
- Seals made of EPDM or FPM
- Connection suction side: suction valve of pump
- Connection pressure side: male thread of shut-off fitting

Options/Accessories					x
Diaphragm pulsation damper	720.1 (up to 25 l/h (6,45 gal/h))	▲	–	–	
	721.2 (up to 50 l/h (12,90 gal/h))	▲	–	–	
	722.1 (up to 180 l/h (46,45 gal/h))	–	▲	–	
	723.1	–	▲	–	
Please note: Use 2 dampers in case of 2 separate pressure sides.	713.1	–	–	▲	
Suction side with ball-cock and line strainer (1 at a time each pump)		▲	▲	▲	
Suction side connecting piping (pump 1 and pump 2)		▲	▲	▲	
Pipework from relief valve back to suction side (only in combination with suction side pipework; 1 at a time each pump)		▲	▲	▲	
Pressure side connecting piping (pump 1 and pump 2)		▲	▲	▲	
Terminal box	R 204.1	▲	–	–	
	R/RF 409.2 / R/RF 410.2	▲	▲	▲	
	C-pump				
	up to 0,37 kW	▲	▲	–	
	0,75 kW and above		▲	▲	
Terminal box (with power outlet)	R 204.1	▲	–	–	
	C-pump				
	up to 0,37 kW	▲	▲	–	
	0,75 kW and above	–	▲	▲	
Power outlet (each pump)	socket outlet with earthing contact (C-pumps, R 204.1)	▲	▲	–	
	CEE-power outlet (C-pumps w. compact drive)	▲	▲	▲	
ON- / OFF-switch (not in association with terminal box or wall socket)	for R/RF 409.2/410.2	▲	▲	▲	
Protective roof for driving motor		▲	▲	▲	
Splash guard		▲	▲	▲	
Leakage sensor (without WHG-approval)		▲	▲	▲	
Framework	galvanized steel	▲	▲	▲	
	plastic	▲	▲	▲	
Drain cock (drip pan)		▲	▲	▲	
further accessories on request					
<p>● = Basic design – = not available ▲ = with add. price ⊗ = on request ○ = without add. price Art.-No. = available in basic design/ accessories</p>					

1