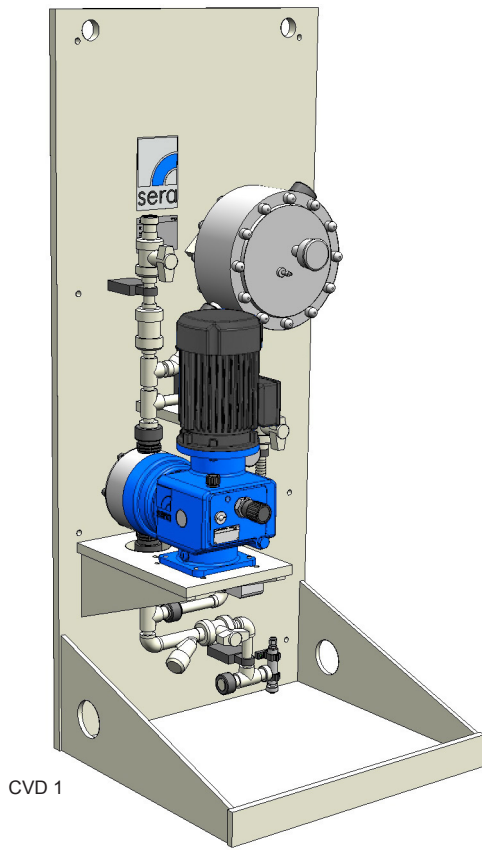
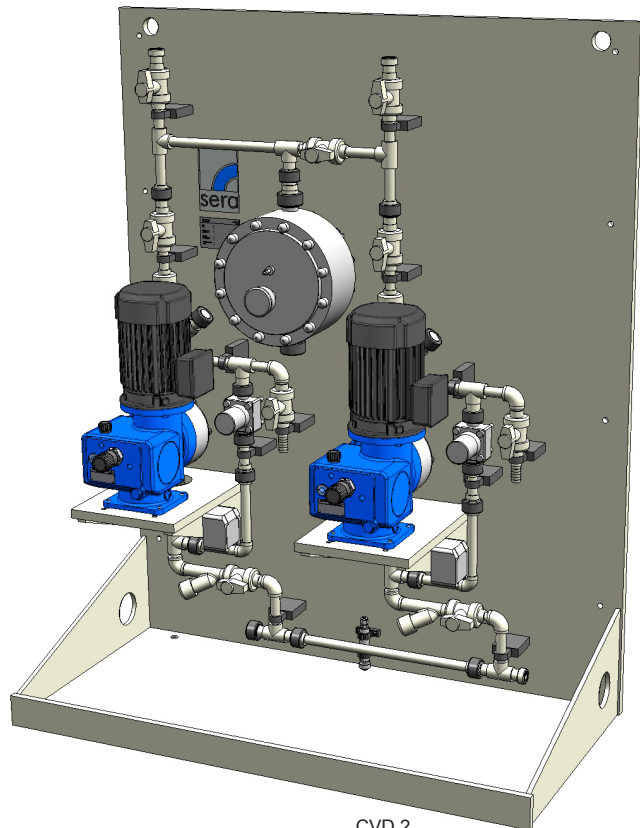


CVD



CVD 1



CVD 2
(Standby-Installation)

Dosing units series CVD

Modular assembled units for multiple dosing tasks.

It can be chosen between two different basic designs (CVD1+CVD2).

The dosing units will be equipped with **sera**-dosing pumps especially tuned for the operating purpose.

Available materials: pipework: PVC/PP; sealings: EPDM/FPM

Technical Data

CVD 1

Type	Flow rate l/h	admissible counterpressure* bar	admissible suction height mWC	Quantity of pumps	Pump-series
CVD 1 - 60.1	up to max. 60	up to 10	up to 3	1	R/C 204.1- 0,4e ... R/RF/C 409.2- 50
CVD 1 - 550.1	up to max. 550	up to max. 10	up to 3	1	R/RF/C 409.2- 75 ... R/RF/C 410.2- 570
CVD 1 - 1500.1	up to max. 1450	up to max. 6	up to 3	1	R/RF/C 410.2- 570 ... R/RF/C 410.2- 1450

CVD 2

Type	Flow rate l/h	admissible counterpressure* bar	admissible suction height mWC	Quantity of pumps	Pump-series
CVD 2 - 60.1	up to 2 x max. 60	up to 10	up to 3	2	R/C 204.1- 0,4e ... R/RF/C 409.2- 50
CVD 2 - 550.1	up to 2 x max. 550	up to max. 10	up to 3	2	R/RF/C 409.2- 75 ... R/RF/C 410.2- 570
CVD 2 - 1500.1	up to 2 x max. 1450	up to max. 6	up to 3	2	R/RF/C 410.2- 570 ... R/RF/C 410.2- 1450

* please note the max. admissible counter pressure of the chosen dosing pump!

CVD 1
Basic design

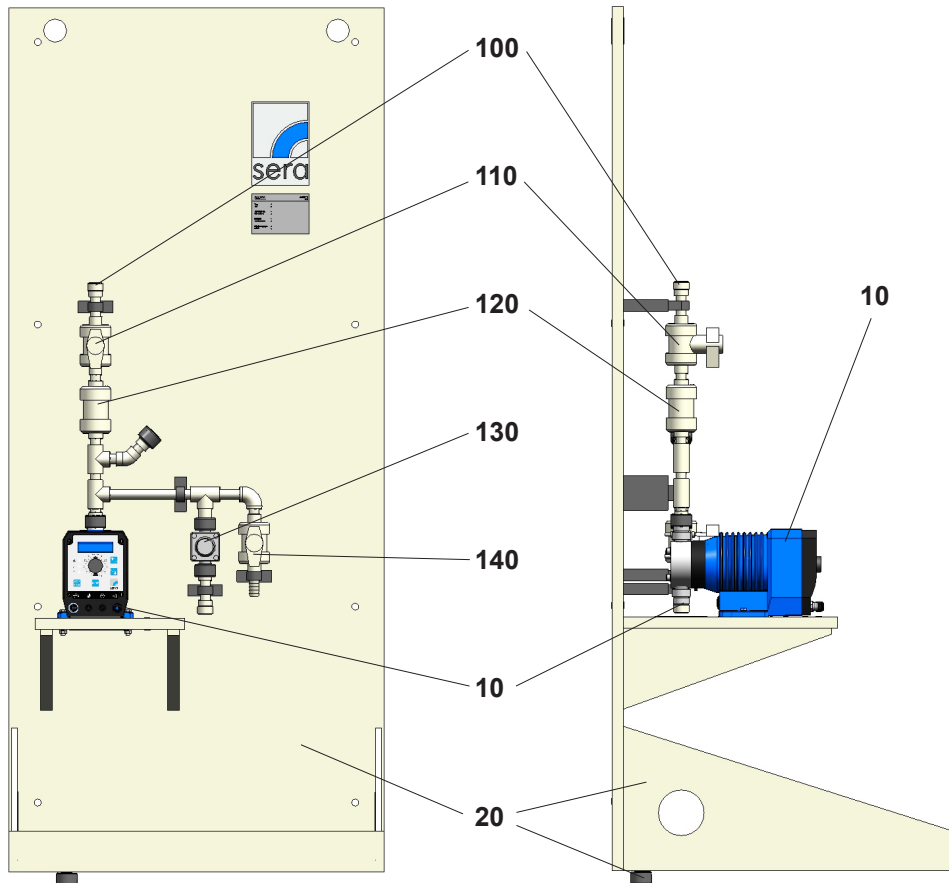
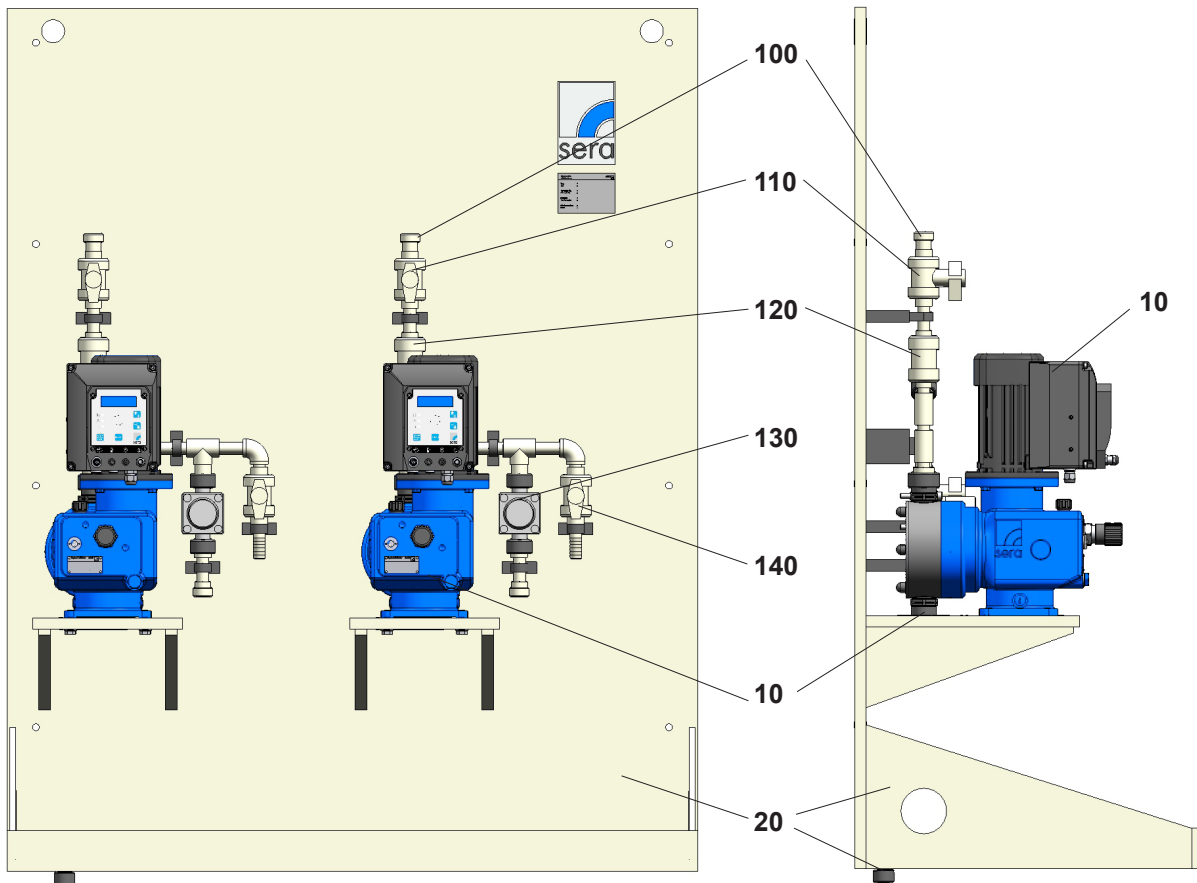


Illustration: Basic design with controllable solenoid diaphragm pump (serie C204.1)

- (10) Diaphragm pump
Final connection suction side: Connection thread of diaphragm pump
- (20) Wall mounting plate made of PP (with integrated drip pan and drain joint)
- (100) Piping of PVC-U or PP on the pressure side, end connection male thread
- (110) Two-way ball valves (shut-off valve)
- (120) Check valve
- (130) Diaphragm overflow valve
- (140) Two-way ball valves (discharge valve)

CVD 2

Basic design



Darstellung: Basisausführung mit ansteuerbaren Membranpumpen der Baureihe C410.2

- (10) 2 pc. Diaphragm pumps (same type)
Final connection suction side: Connection thread of diaphragm pumps
- (20) Wall mounting plate made of PP (with integrated drip pan and drain joint)
- (100) Piping of PVC-U or PP on the pressure side, end connection male thread
- (110) 2 pcs. two-way ball valves (shut-off valves)
- (120) 2 pcs. check valves
- (130) 2 pcs. diaphragm overflow valves
- (140) 2 pcs. two-way ball valves (discharge valves)

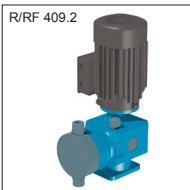
CVD 1

Overview / options

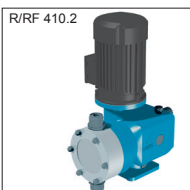
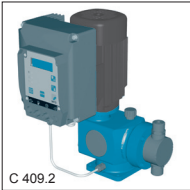
Dosing pumps



Solenoid-diaphragm pumps
Series 204.1



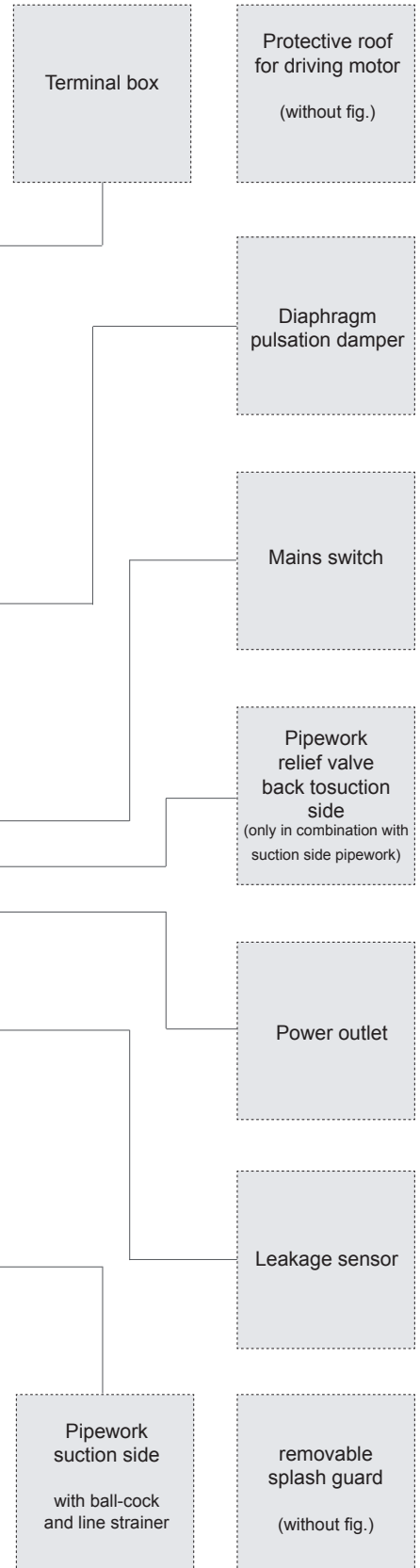
Diaphragm pumps
Series 409.2



Diaphragm pumps
Series 410.2



Options dosing unit

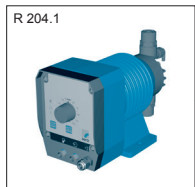


10548-05 en / 09.2013 / PM
Subject to technical modifications!

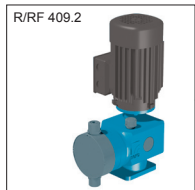
CVD 2 (Standby - Installation)
Overview / options

Dosing pumps

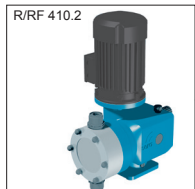
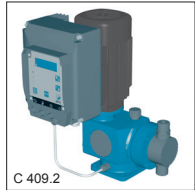
Options dosing unit



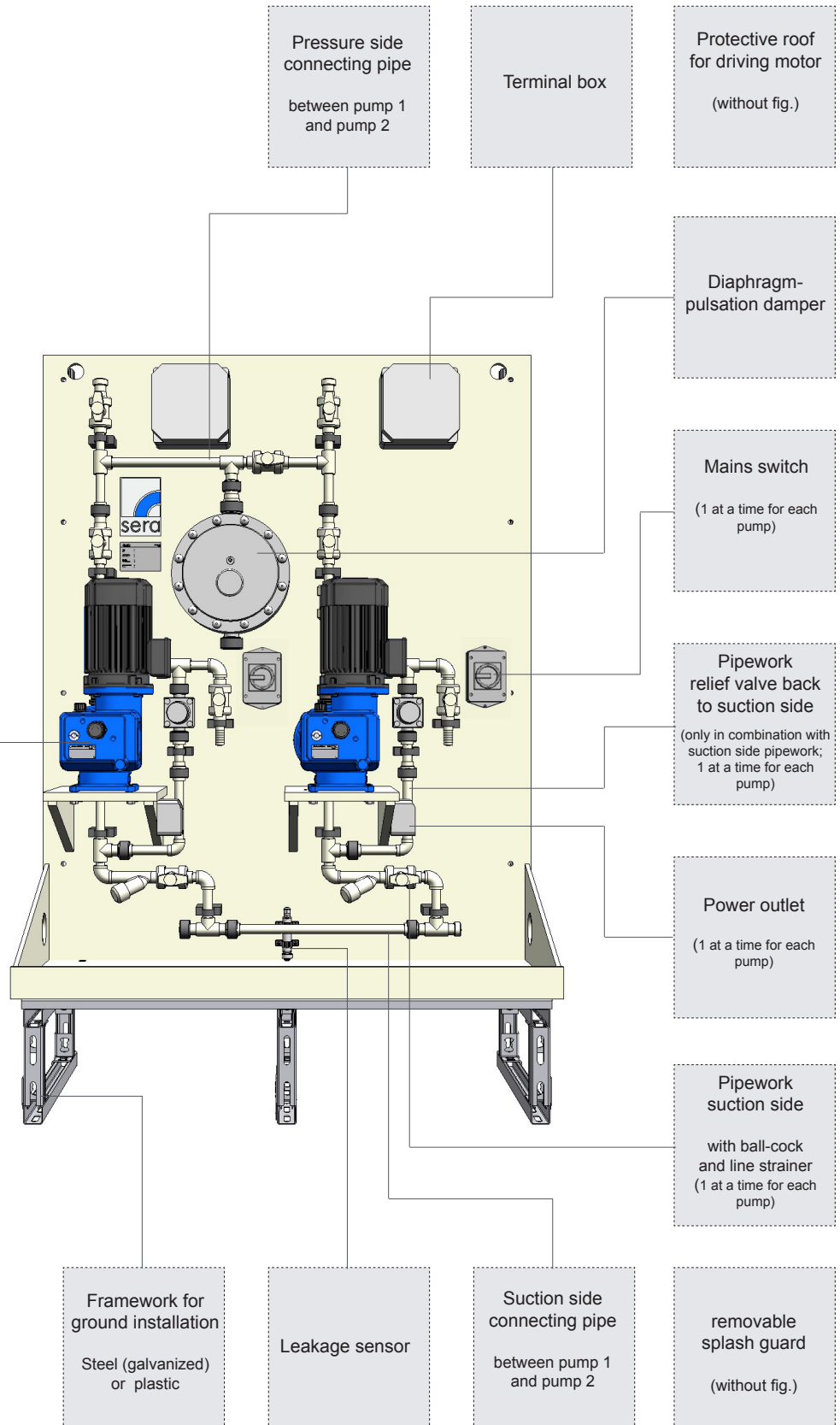
Solenoid-diaphragm pumps
Series 204.1



Diaphragm pumps
Series 409.2



Diaphragm pumps
Series 410.2



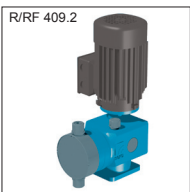
CVD 2 (2x100%-Installation)

Overview / options

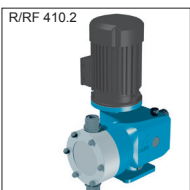
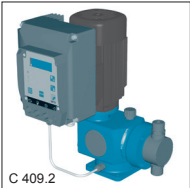
Dosing pumps



Solenoid-diaphragm pumps
Series 204.1



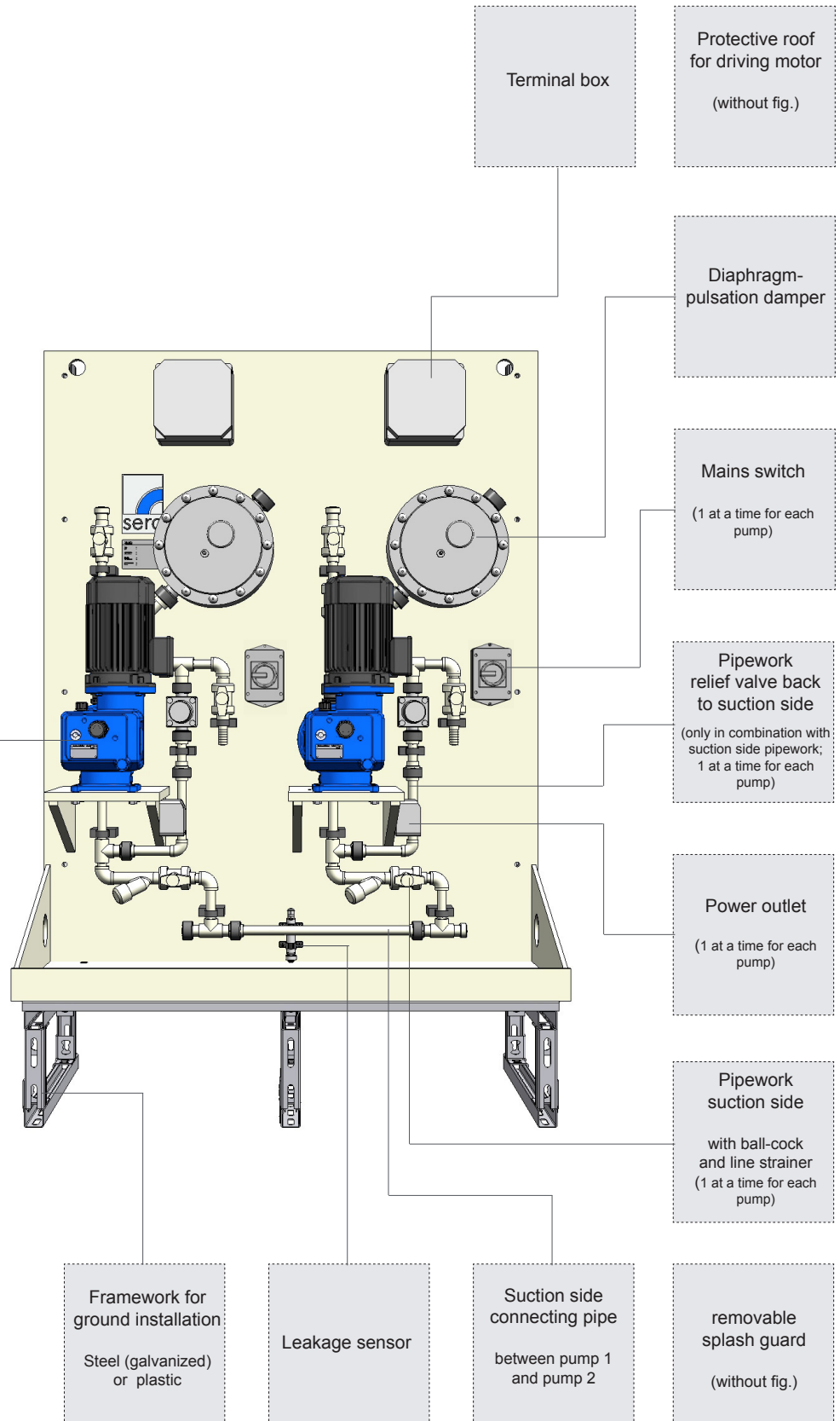
Diaphragm pumps
Series 409.2



Diaphragm pumps
Series 410.2

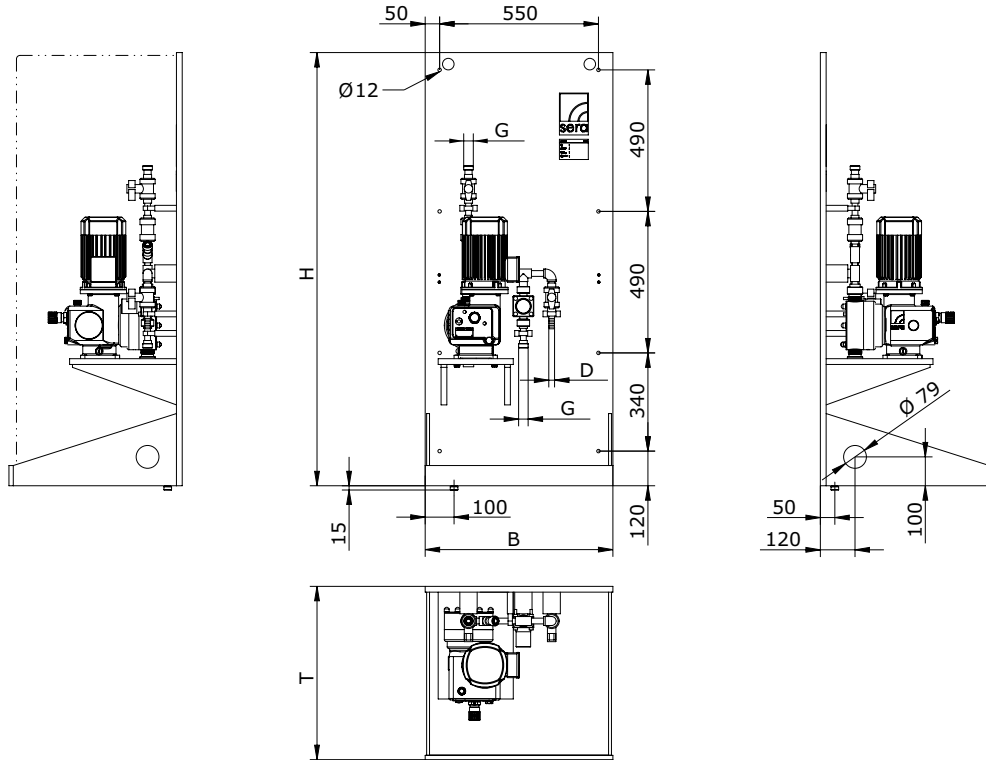


Options dosing unit



CVD 1

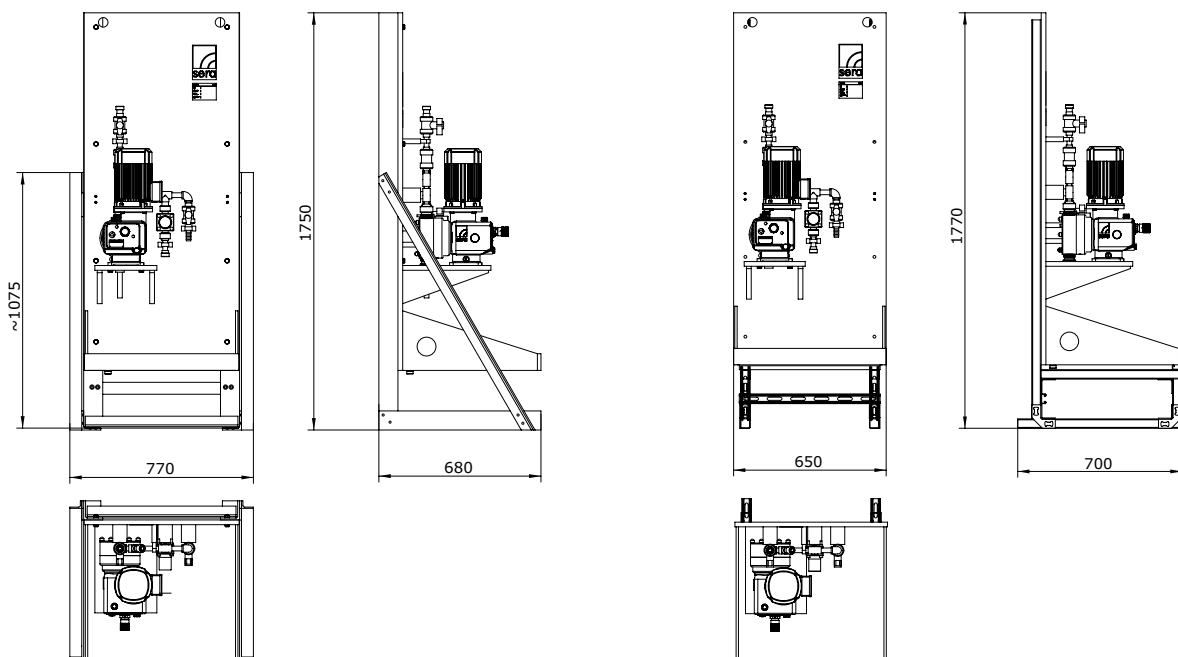
Outer dimensions (basic design with options)



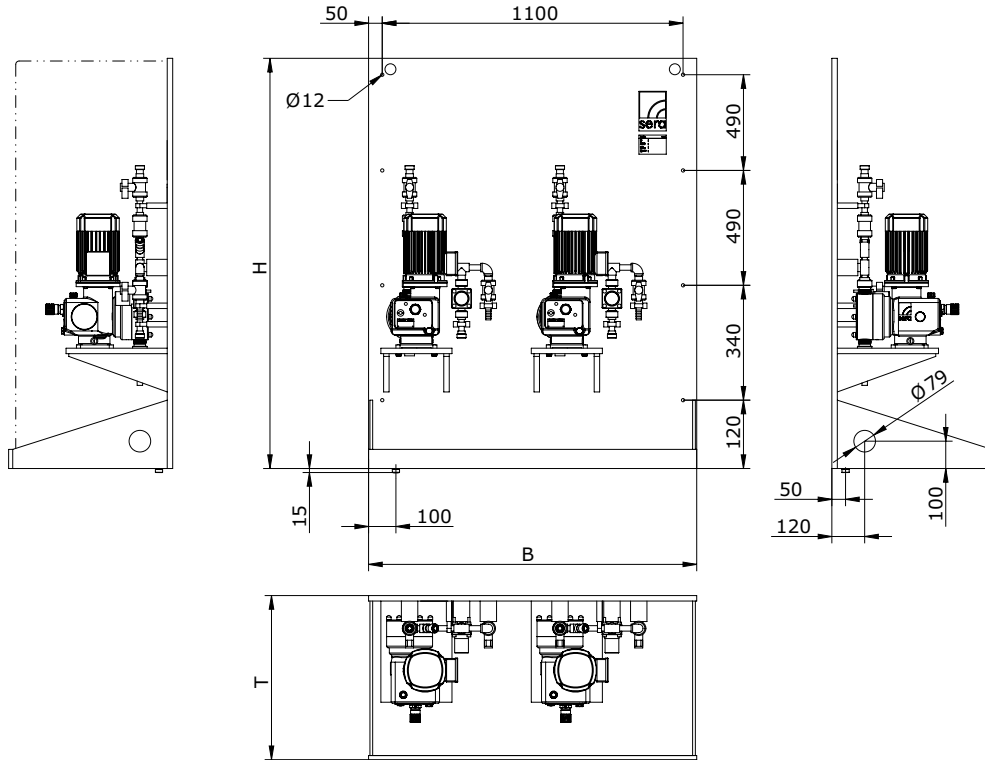
Type	H	B	T	G	D	Weight
CVD 1 - 60.1	1500	650	600	G 3/4	16	on request
CVD 1 - 550.1	1500	650	600	G1	20	on request
CVD 1 - 1500.1	1500	650	600	G1 1/2	20	on request

with framework f. ground installation (FRP, option)

with framework f. ground installation (galvanized steel, option)



CVD 2
Outer dimensions (basic design with options)



Type	H	B	T	G	D	Weight
CVD 2 - 60.1	1500	1200	600	G 3/4	16	on request
CVD 2 - 550.1	1500	1200	600	G 1	20	on request
CVD 2 - 1500.1	1500	1200	600	G 1 1/2	20	on request

with framework f. ground installation (FRP, option)

with framework f. ground installation (galvanized steel, option)

