

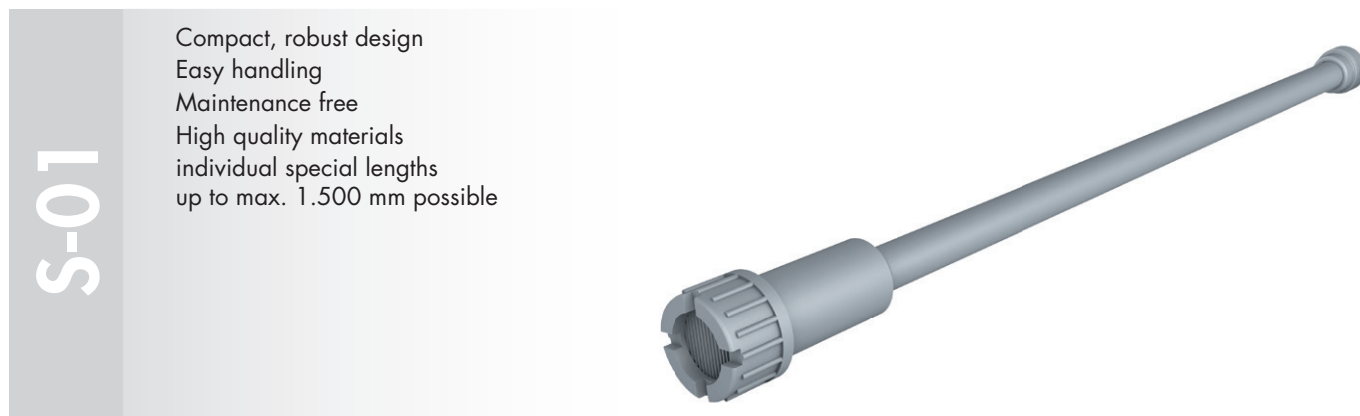
SUCTION LANCES



SUCTION LANCES WITHOUT LEVEL SWITCH

The **sera** suction lances are used for the removal of chemicals from containers. The suction lances can be installed height-adjustable in a container lid (not included in delivery) or placed directly in the container.

For the **sera** suction lance, the regulations applicable at the place of installation must always be observed before and during operation.



S-01

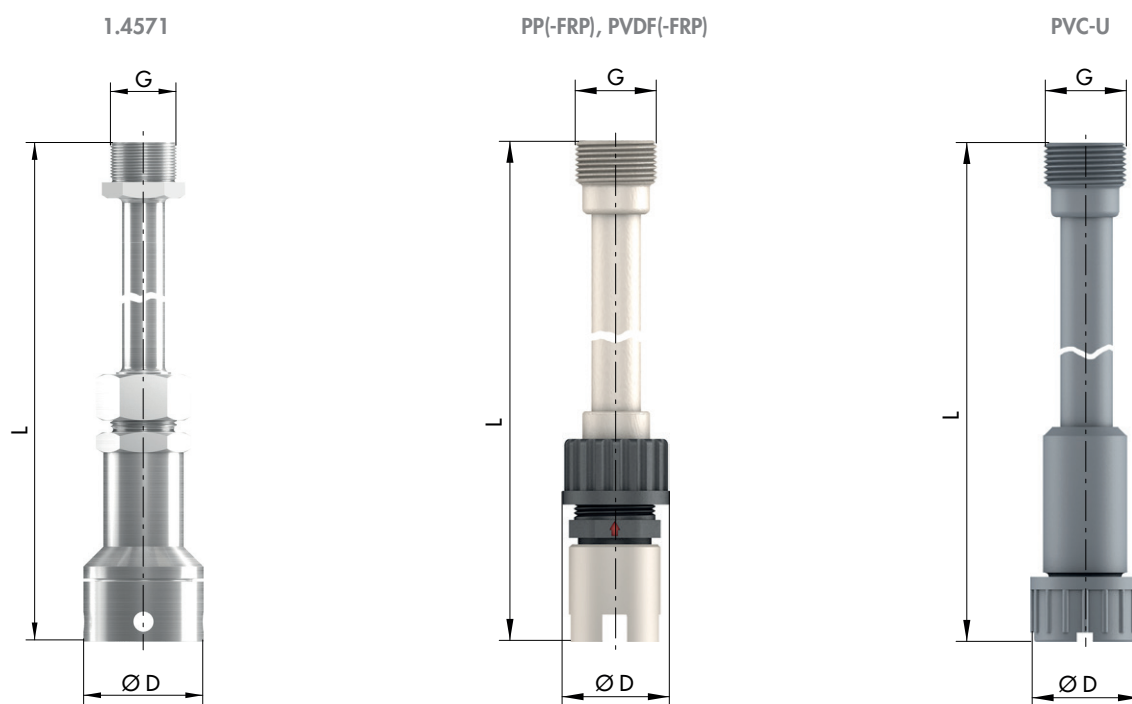
- Compact, robust design
- Easy handling
- Maintenance free
- High quality materials
- individual special lengths up to max. 1.500 mm possible

MATERIALS

Suction lance S-01		PVC-U	PP(-FRP)	PVDF(-FRP)	1.4571
Foot valve	PVC-U	■			
	1.4401				■
	PP-FRP		■		
	PVDF-FRP			■	
Valve ball	PTFE	■	■	■	
	1.4401		■	■	■
Sealings	FPM	■	■	■	
	EPDM	■	■	■	■
	FEP-covered				■

TECHNICAL DATA / DIMENSIONS

		S-01					
Nominal width	DN	10	15	15	15	20	20
Threaded connection	G	G ^{3/4}	G ^{3/4}	G1	G1 ^{1/4}	G1	G1 ^{1/4}
Max. flow rate	l/h	200	200	600	600	600	1450
Max. viscosity of conveyed medium	mPas	100	100	100	100	100	100
Min. density of conveyed medium	kg/dm ³	1	1	1	1	1	1
Max. pump stroke volume	cm ³	20	20	103	103	103	245



		S-01					
DN		10	15	15	15	20	20
G		G ^{3/4}	G ^{3/4}	G1	G1 ^{1/4}	G1	G1 ^{1/4}
D	1.4571	60	60	60	60	60	60
	PVC-U	38	53	53	53	63	63
	PP(-FRP), PVDF(-FRP)	35	–	–	–	52	52
L		650	650	650	650	650	650
		1000	1000	1000	1000	1000	1000
		1250	1250	1250	1250	1250	1250
	max.	1500	1500	1500	1500	1500	1500

(Dimensions in mm)

SUCTION LANCES WITH LEVEL SWITCH

SL-02

Compact, robust design
 Safe
 Easy handling
 1- or 2- stage level monitoring
 Flexible connection possibilities
 High quality materials
 Maintenance free
 2-stage, normally closed (NC)
 5m cable (from Foot valve) with cable box
 M12 3-pole (1) for connection to pump types
 C204.1, C410.2 and with plug M12 8-pole
 (2) for connection to pumps with control elec-
 tronics Pro+.

SLP-15x.1

Compact, robust design
 Easy handling
 1- or 2- stage level monitoring
 Protective tube
 Maintenance free
 High quality materials
 Protection class IP65
 1- or 2-stage, normally closed (NC)
 cable screwing: M12x1,5

SL-12.1

Compact design
 Height adjustable
 2-stage level monitoring
 Flexible connection possibilities
 Easy handling
 High quality materials
 Maintenance free
 incl. hose screwings 4/6, 6/8, 6/12
 2-stage, normally closed (NC)
 5m cable (from Foot valve) with cable box
 M12 3-pole (1) for connection to pump types
 C204.1, C410.2 and with plug M12 8-pole
 (2) for connection to pumps with control elec-
 tronics Pro+.



MATERIALS

		SL-02	SL-12.1	SLP151.1	SLP-152.1
Suction lance	PVC-U	■	■	■	■
Foot valve	PVDF-FRP	■			
	PVC-U		■	■	■
Valve ball	PTFE	■	■	■	■
Sealings	FPM	■		■	■
	EPDM	■		■	■
	PTFE		■		
Level switch	PP	■	■	■	■
Hose	PE		■		

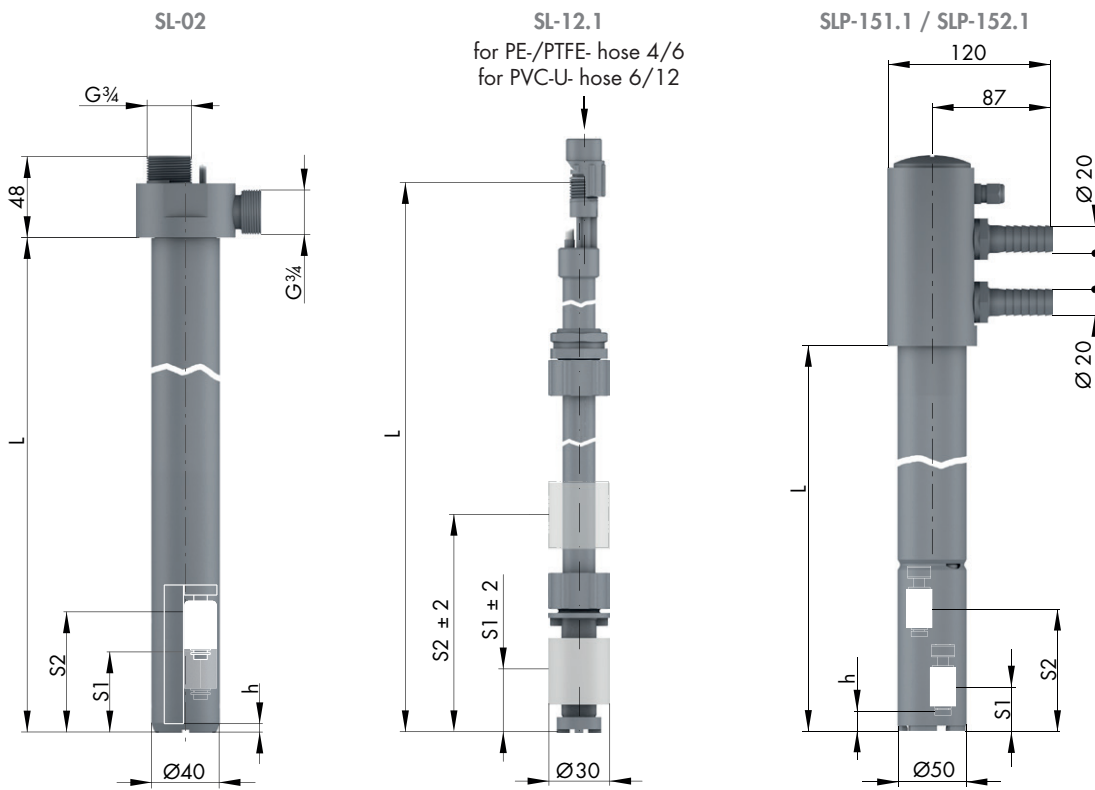
TECHNICAL DATA / DIMENSIONS

		SL-02	SL-12.1	SLP-151.1	SLP-152.1
Max. flow rate	l/h	200	14 ¹⁾ / 35 ²⁾	700	700
Max. viscosity of conveyed medium	mPas	100	50	100	100
Min. density of conveyed medium	kg/dm ³	1	1	1	1
Max. switching voltage	V / AC/DC	48	50	48	48
Max. switching current	A	0,5	0,5	0,5	0,5
Max. switching capacity	W / VA	10 / 12	10 / 12	10 / 12	10 / 12
Protection class	(IEC529)	IP65	IP65 ³⁾	IP65	IP65
Min. installation opening	mm	42	24	52	52
Max. pump stroke volume	cm ³	20		100	100

¹⁾ with hose connection 4/6

²⁾ with hose connection 6/12


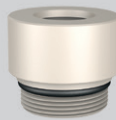


³⁾ Protection class IP67 from lower edge of screw cover


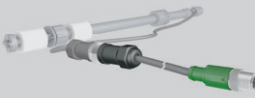


		SL-02		SL-12.1	SLP-151.1	SLP-152.1
		1-stage	2-stage			
L		630	630	600	750	750
		1000	1000	1000	1000	1000
		1200	1200	1200	1250	1250
S1	Switching point	50	48	33	55	55
S2	Switching point	–	72	104	–	113
h	Rest approx.	8	8	–	15	15

(Dimensions in mm)

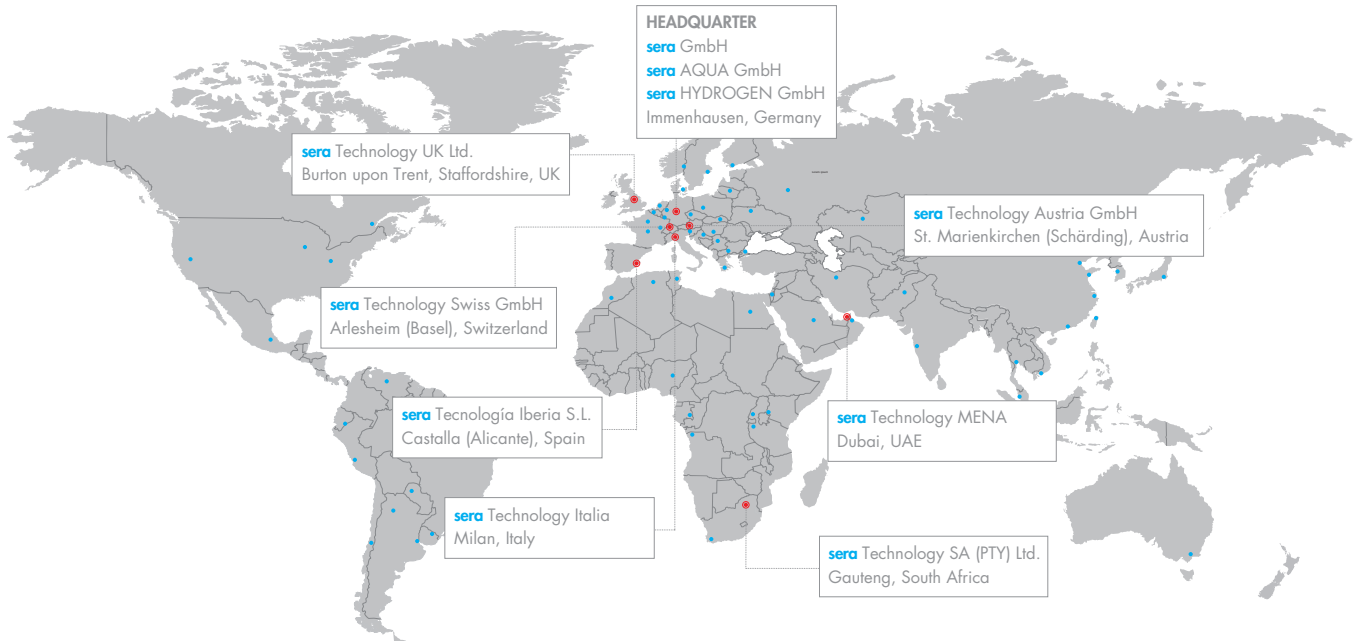
ACCESSORIES

SL-02				
Illustration	Designation	Description	Material	Article-No.
	Barrel connection adapter for male thread	d40 to S65x5 (DIN 2781)	PP/FPM	90011762
			PP/EPDM	90011763
	Barrel connection adapter (Set of 3 pcs.) for female thread	1x d40 to S65x5 (DIN 2781) additional: 1x S65x5 to BCS56x4 (EN12708) 1x S65x5 to G2 (DIN ISO 228-1)	PP/FPM	90046043
			PP/EPDM	90046044
	Barrel connection adapter for male thread	DIN51	PP/FPM	90011766
			PP/EPDM	90011767
	Barrel connection adapter for wall duct	G=2 Wall thickness S=max. 6 mm	PP/PVC/FPM	90011772
			PP/PVC/EPDM	90011773

SL-12.1				
Illustration	Designation	Description	Article-No.	
	Cable with cable box and plug 3-pole	5 m Cable with cable box M12, for connection to pump types C204.1, C410.2	90031245	
		Plug M12	90022883	
	Cable with plug and cable box 8-pole	5 m cable with plug M12 for connection to pump with control electronics Pro+	90042494	
		Cable box M12	90022879	

ACCESSORIES

SLP151.1 / SLP152.1				
Illustration	Designation	Description	Material	Article-No.
	Cable with cable box, 3-pole	5 m cable with cable box M12 for connection to pump types C204.1, C410.2		90031245
	Cable with plug, 8-pole	5 m cable with plug M12 for connection to pump with control electronics Pro+		90042494
	Tank screwing BCS 70x6 Di=50	Container screw connection for internal thread. Ventilation via tolerance of the inner diameter of the adapter or via separate ventilation of the container.	PVC-U	90028923
	Tank screwing G2, IBC	For IBC cover with G2 internal thread. Ventilation via adapter. Gas-tight design with „hose set“ possible.	PVC-U	90044282
	Tank screwing G2 universal	Bulkhead fitting with flat gasket (made of PVC-U). Ventilation via adapter. Gas-tight design with „hose set“ possible.	PVC-U	90044277
	Hose set 3/4, d12, L3000	for gas tight container screwing for connection to On-site evacuation system	PVC-U	90044369
	Quiver	Quiver for storing/holding the suction lance (e.g. when changing containers)	PVC-U	90028919



WORKING FOR YOU ALL OVER THE WORLD

sera GmbH

sera-Straße 1
 34376 Immenhausen
 Germany

Tel.: +49 5673 999-00

info@sera-web.com

sera AQUA GmbH

sera-Straße 1
 34376 Immenhausen
 Germany

Tel.: +49 5673 999-02

sales.aqua@sera-web.com

sera HYDROGEN GmbH

sera-Straße 1
 34376 Immenhausen
 Germany

Tel.: +49 5673 999-04

sales.hydrogen@sera-web.com

sera Technology Austria GmbH

Gewerbestraße 5
 4774 St. Marienkirchen bei Schärding
 Austria

Tel.: +43 771 131 7770

sales.at@sera-web.com

sera Technology Swiss GmbH

Altenmatteweg 5
 4144 Arlesheim
 Switzerland

Tel.: +41 615 114 260

sales.ch@sera-web.com

sera Tecnología Iberia S.L.

Calle Cocentaina n°8,
 03420 Castalla (Alicante)
 Spain

Tel: +34 666 024 388

sales.es@sera-web.com

sera Technology UK Ltd.

Unit 5, Granary Wharf Business Park
 Wetmore Road, Burton upon Trent
 Staffordshire DE14 1DU
 United Kingdom

Tel.: +44 1283 753 400

sales.uk@sera-web.com

sera Technology SA (PTY) Ltd.

Unit 3-4, Airborne Park
 Cnr Empire & Taljaard Str Bartletts
 Boksburg, 1459 Gauteng
 South Africa

Tel.: +27 113 975 120

sales.za@sera-web.com

sera Technology Italia

Milan
 Italy

Tel.: +39 340 81 92 744

sales.it@sera-web.com

sera Technology MENA

Dubai
 UAE

Tel.: +971 589 287 559

sales.mena@sera-web.com

www.sera-web.com

