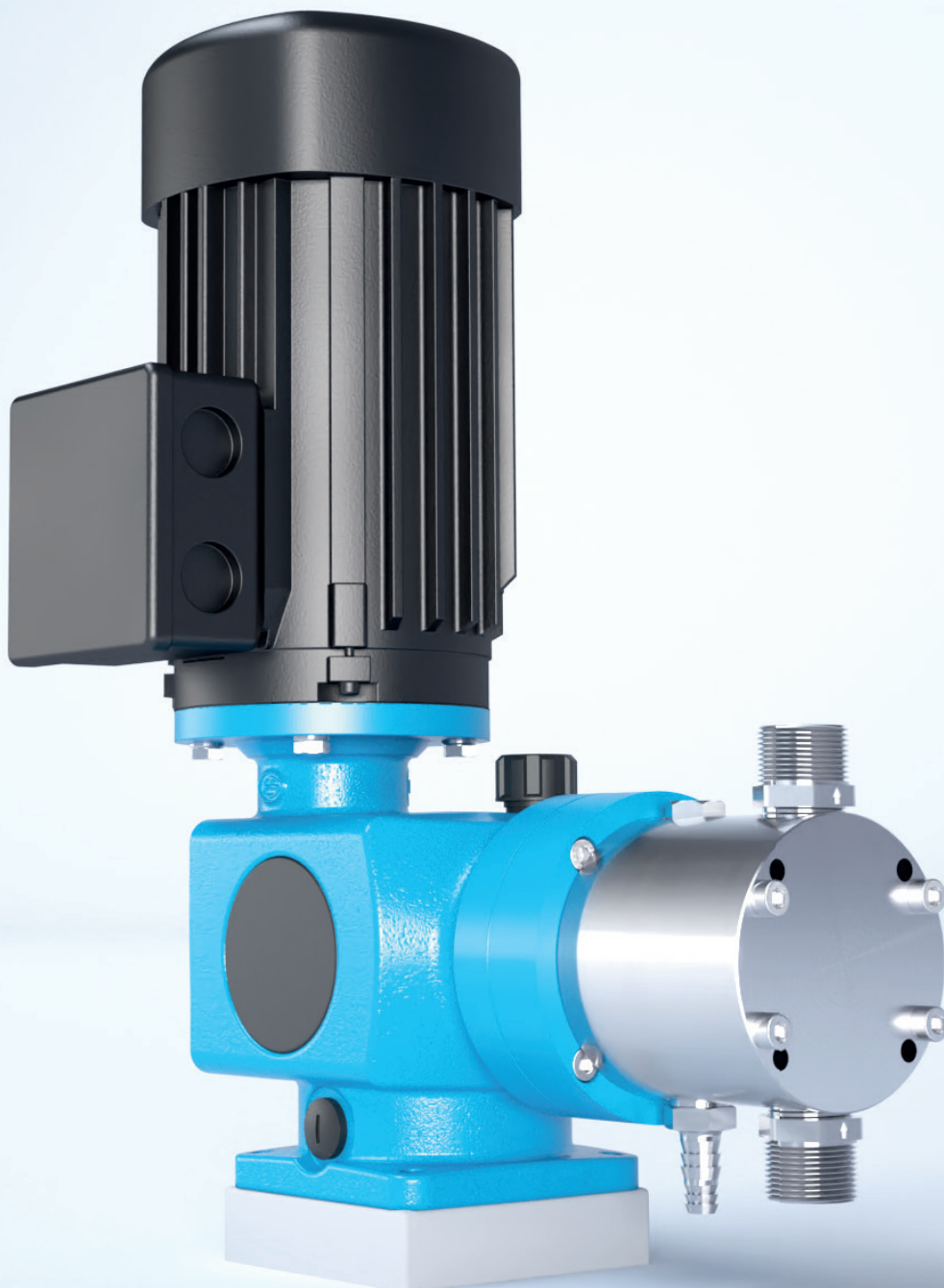


# PISTON PUMP 409.2 K



# PISTON PUMP FOR HIGHER PRESSURE

## PISTON PUMP 409.2 K

The 409.2 - K is versatilely applicable and despite its high pressure range extremely safe to operate. Due to low-wear components the maintenance of the piston pump is very low and therefore it convinces with accustomed quality and reliability.

### EXAMPLES OF APPLICATION

- Drinking water treatment
- Food and beverage industry
- Chemical industry, petrochemistry, gas, refineries
- Power plants
- Pharmacy

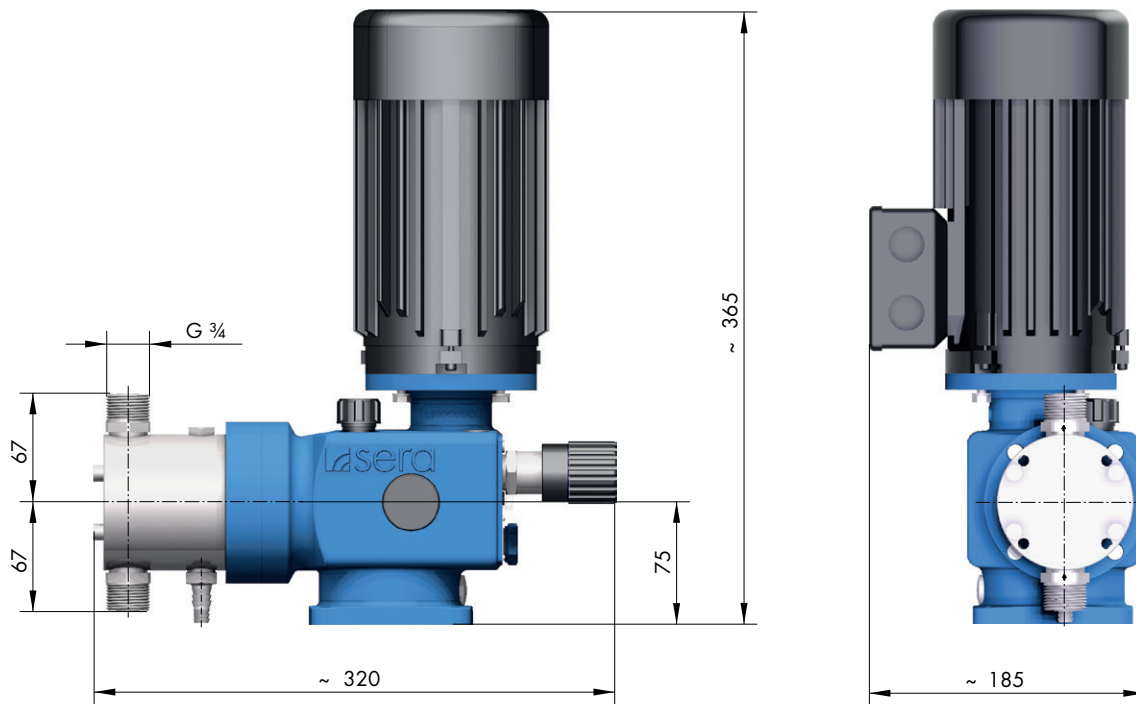
### ADVANTAGES AT A GLANCE

- Wide pressure range
- High operating safety
- Easy installation
- Extended operating range
- Various designs

### FEATURES

- High pressure range with pressures up to 140bar
- High operating safety due to leakage nozzle and optional rinsing nozzle
- Low maintenance due to low wear components
- Stroke mechanism designed as spring-cam drive
- Linear/continuous adjustment of stroke length from 0...100%, stroke length adjustment is displayed in the standard version, manual stroke length adjustment
- RF design: operation possible with frequency converter

# DIMENSIONS



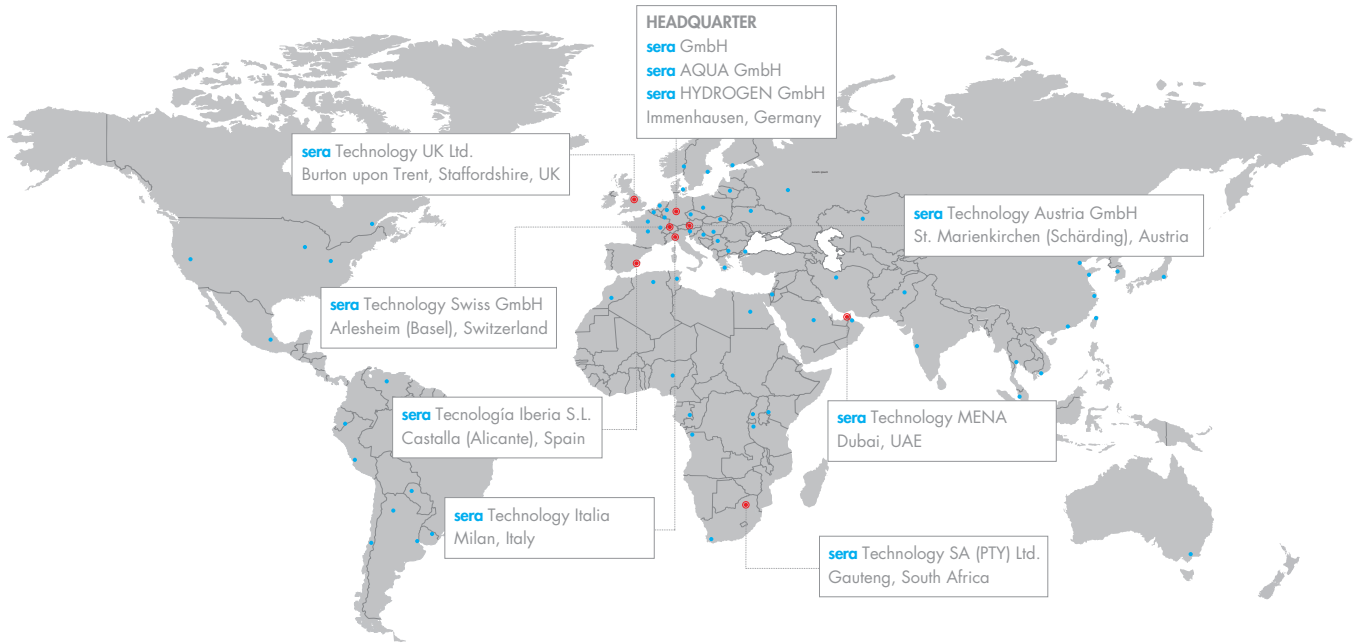
# TECHNICAL DATA

PUMP DATA		RF 409.2-8 K	RF 409.2-12 K	RF 409.2-18 K
Permissible pressure $p_{2max}$ at the pump outlet	bar	140	140	80
Nominal capacity QN at $p_{2max}$	l/h	50 Hz	8	12
		60 Hz	10	14
Quantity per stroke	ml/stroke (100%)	1,3	1,3	3,0
Max. suction height	mWC	3	3	3
Min./max. permissible pressure at the pump inlet	bar	$p_{1min/max}$	-0,3/0	-0,3/0
Recommended nominal diameter DN of the connecting pipes	mm	8	8	8
Nominal stroke frequency	1/min	50 Hz	100	150
		60 Hz	120	180
Weight approx	kg	12	12	12

ELECTRICAL DATA		RF 409.2-... K
Power consumption	kW	0,37
Voltage	V	230/400V 50Hz, 460V 60Hz
Frequency	Hz	50/60
Protection category	IP	55

FOLLOW US



## WORKING FOR YOU ALL OVER THE WORLD

**sera GmbH**  
sera-Straße 1  
34376 Immenhausen  
Germany  
Tel.: +49 5673 999-00  
[info@sera-web.com](mailto:info@sera-web.com)

**sera AQUA GmbH**  
sera-Straße 1  
34376 Immenhausen  
Germany  
Tel.: +49 5673 999-02  
[sales.aqua@sera-web.com](mailto:sales.aqua@sera-web.com)

**sera HYDROGEN GmbH**  
sera-Straße 1  
34376 Immenhausen  
Germany  
Tel.: +49 5673 999-04  
[sales.hydrogen@sera-web.com](mailto:sales.hydrogen@sera-web.com)

**sera Technology Austria GmbH**  
Gewerbestraße 5  
4774 St. Marienkirchen bei Schärding  
Austria  
Tel.: +43 771 131 7770  
[sales.at@sera-web.com](mailto:sales.at@sera-web.com)

**sera Technology Swiss GmbH**  
Altenmattweg 5  
4144 Arlesheim  
Switzerland  
Tel.: +41 615 114 260  
[sales.ch@sera-web.com](mailto:sales.ch@sera-web.com)

**sera Tecnología Iberia S.L.**  
Calle Cocentaina nº8,  
03420 Castalla (Alicante)  
Spain  
Tel.: +34 666 024 388  
[sales.es@sera-web.com](mailto:sales.es@sera-web.com)

**sera Technology UK Ltd.**  
Unit 5, Granary Wharf Business Park  
Wetmore Road, Burton upon Trent  
Staffordshire DE14 1DU  
United Kingdom  
Tel.: +44 1283 753 400  
[sales.uk@sera-web.com](mailto:sales.uk@sera-web.com)

**sera Technology SA (PTY) Ltd.**  
Unit 3-4, Airborne Park  
Cnr Empire & Taljaard Str Bartletts  
Boksburg, 1459 Gauteng  
South Africa  
Tel.: +27 113 975 120  
[sales.za@sera-web.com](mailto:sales.za@sera-web.com)

**sera Tecnología Italia**  
Milan  
Italy  
Tel.: +39 340 81 92 744  
[sales.it@sera-web.com](mailto:sales.it@sera-web.com)

**sera Technology MENA**  
Dubai  
UAE  
Tel.: +971 589 287 559  
[sales.mena@sera-web.com](mailto:sales.mena@sera-web.com)

[www.sera-web.com](http://www.sera-web.com)

