

# HIGH PRESSURE CLEANER

for commercial use



CONTINUOUS  
OPERATION IS  
OUR STANDARD!



# HIGH-PRESSURE CLEANER

## Stationary (HPCcenter) or mobile (HPCmove)

This unit has been designed for commercial use. The device is a compact model that is particularly space-saving and completely ready for connection with its integrated electrical control system. The high-pressure pump unit can be operated with either fresh water or service water.

### DESCRIPTION OF FUNCTION

When the pressure drops (by actuating the spray gun), the device automatically switches on. When the spray gun is closed, the device switches to standby mode after a delay of 3 to 30 seconds (adjustable), and starts up again immediately when the spray gun is actuated.

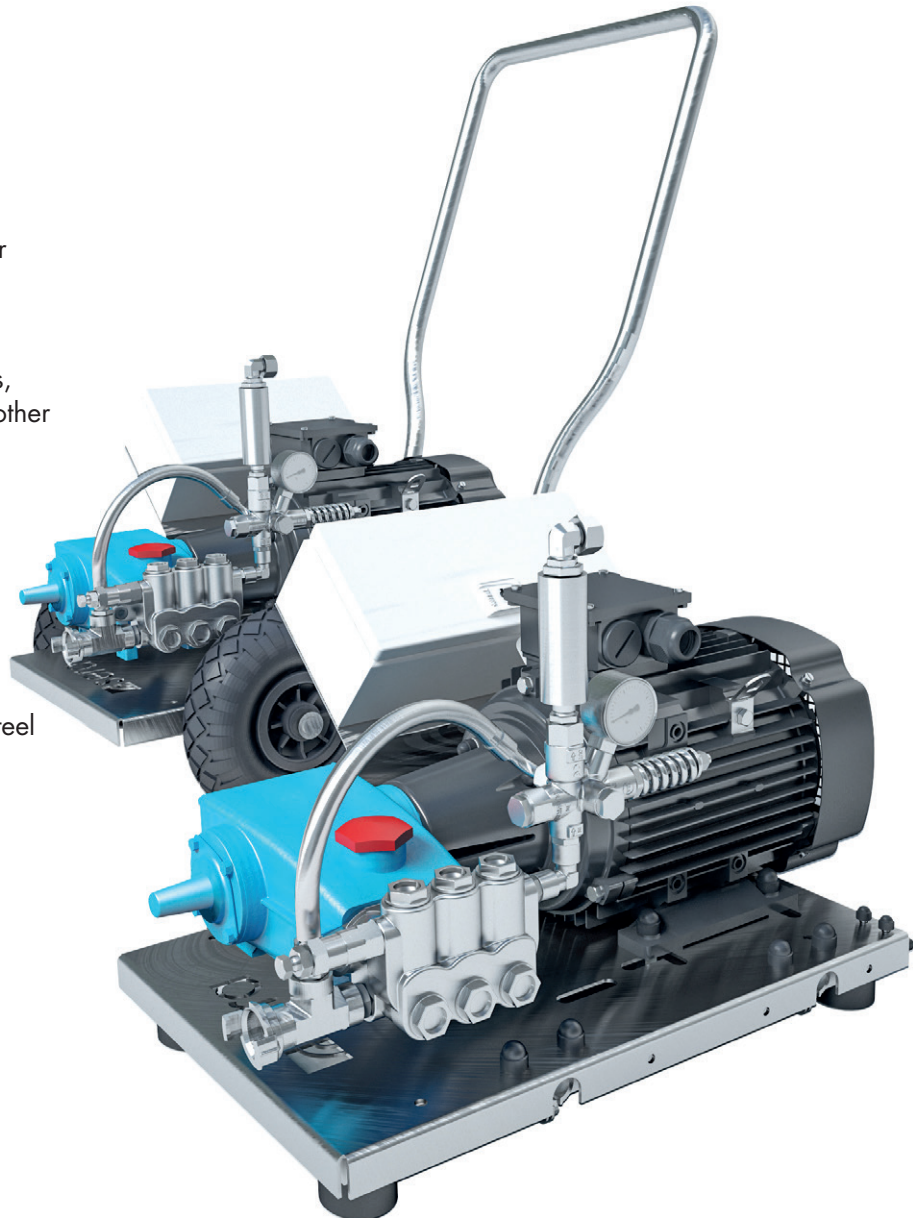
If the water supply is interrupted, the device will not switch on, thus safeguarding against dry running (does not apply to operating without feeding pressure).

### OVERVIEW OF ADVANTAGES

- Standardized prewash units
- Compact design
- Integrated control
- Suitable for fresh and process water

### HIGH-PRESSURE PUMP

- Pump head corrosion-resistant brass, NiAlBr, stainless steel, duplex and other special materials
- Hard ceramic plunger (solid)
- Valves, valve seats and springs in stainless steel
- Seals made of special material
- Integrated leakage return
- Silent operation
- Cast aluminium crank housing
- Forged crankshaft made of CrMo steel

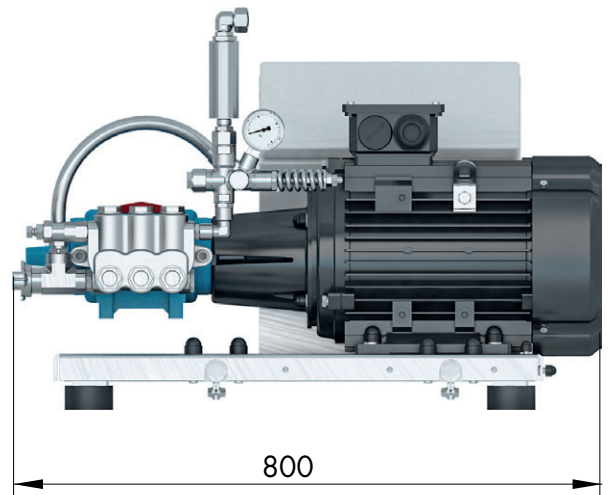
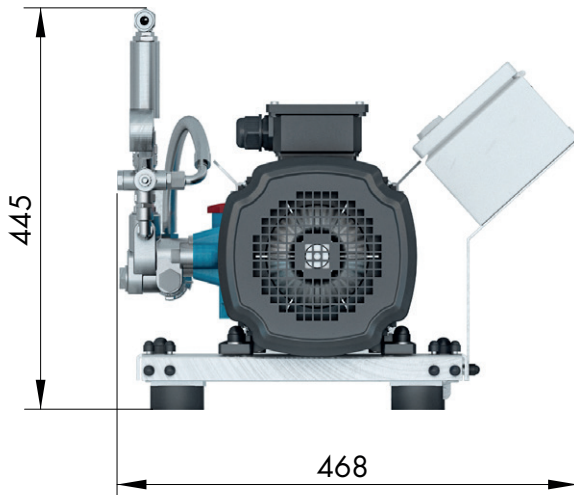


## TECHNICAL DATA

### High-pressure cleaner stationary (HPCcenter)

Type	Flow rate * [l/min.]	Operating pressure * [bar]	Speed [min <sup>-1</sup> ]	Motor power [kW]
HPCC	15	200	1.450	5,5

\*Other flow rate and operating pressures on request.

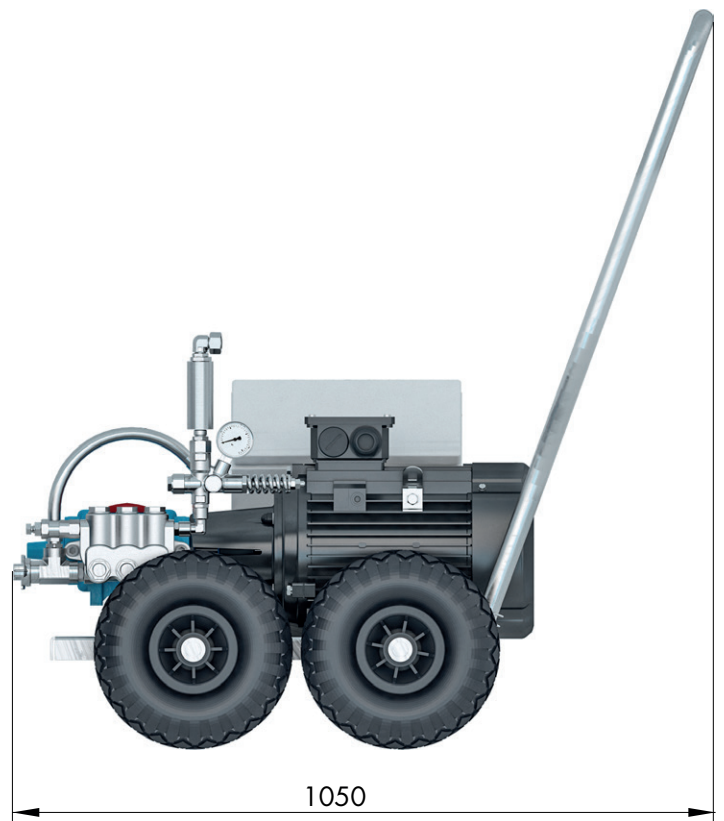
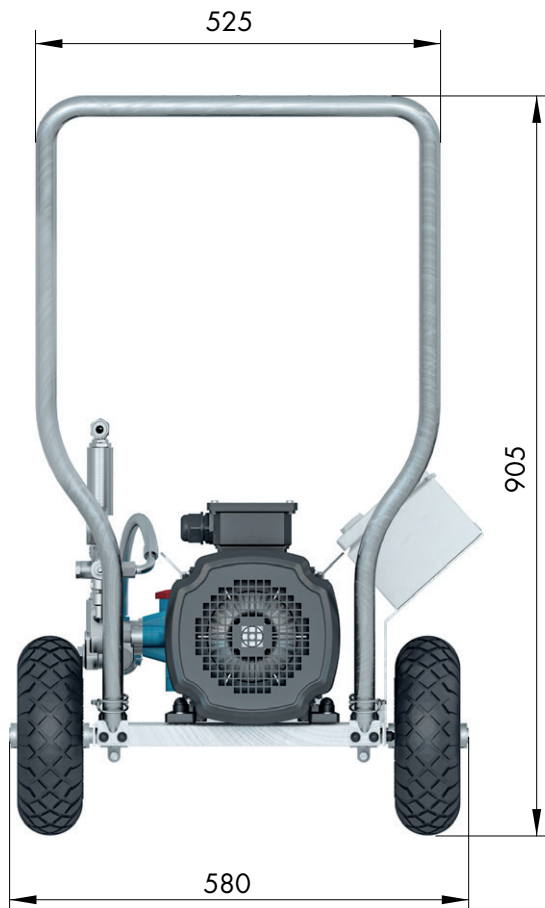


## TECHNICAL DATA

### High-pressure cleaner mobile (HPCmove)

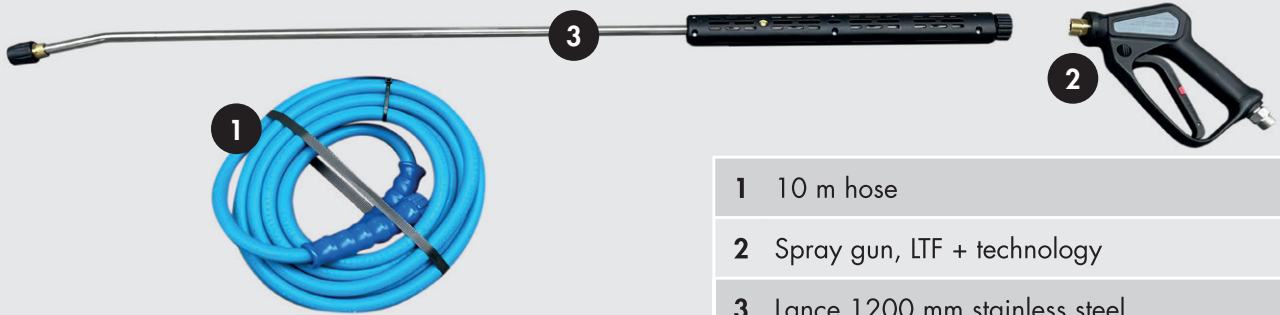
Type	Flow rate * [l/min.]	Operating pressure * [bar]	Speed [min <sup>-1</sup> ]	Motor power [kW]
HPCM	15	200	1.450	5,5

\*Other flow rate and operating pressures on request.



## ACCESSORIES FOR HIGH-PRESSURE CLEANER

### Spray lance kit (Article no.: 37608159)



- |   |                               |
|---|-------------------------------|
| 1 | 10 m hose                     |
| 2 | Spray gun, LTF + technology   |
| 3 | Lance 1200 mm stainless steel |

### Pressure reducer complete set for chemical-free water (Article no.: 37608158)



- |   |  |
|---|--|
| 1 | Pressure reducer, brass, 1,5 - 6 bar, DN15 |
| 2 | 2x GEKA-coupling, brass                    |

# ACCESSORIES FOR HIGH-PRESSURE CLEANER

## Nozzle kit (Article no.: 37608159)



1 Flat jet nozzle 25

2 Dirt cutter

other nozzle variants on request

## Hose reels <sup>1)</sup> (Article no.: 90054402) Plastic, for dry area



<sup>1)</sup> fit to 10 m hose

## Hose reels <sup>1)</sup> (Article no.: 90053055) Stainless steel, for Ex area



## Wall bracket <sup>2)</sup> (Article no.: 90054400)

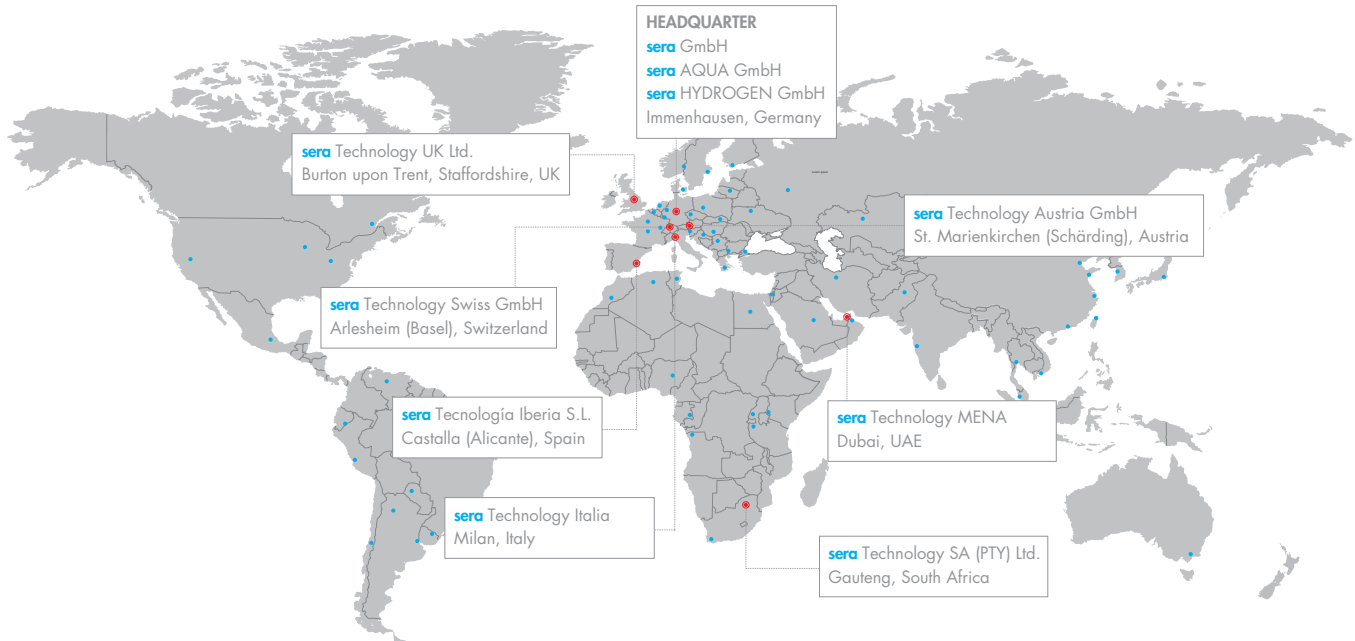


<sup>2)</sup> only for the hose reels listed above

## Wall swivel bracket (Article no.: 90054401)



FOLLOW US



## WORKING FOR YOU ALL OVER THE WORLD

### sera GmbH

sera-Straße 1  
34376 Immenhausen  
Germany

Tel.: +49 5673 999-00

[info@sera-web.com](mailto:info@sera-web.com)

### sera AQUA GmbH

sera-Straße 1  
34376 Immenhausen  
Germany

Tel.: +49 5673 999-02

[sales.aqua@sera-web.com](mailto:sales.aqua@sera-web.com)

### sera HYDROGEN GmbH

sera-Straße 1  
34376 Immenhausen  
Germany

Tel.: +49 5673 999-04

[sales.hydrogen@sera-web.com](mailto:sales.hydrogen@sera-web.com)

### sera Technology Austria GmbH

Gewerbestraße 5  
4774 St. Marienkirchen bei Schärding  
Austria

Tel.: +43 771 131 7770

[sales.at@sera-web.com](mailto:sales.at@sera-web.com)

### sera Technology Swiss GmbH

Altenmatteweg 5  
4144 Arlesheim  
Switzerland

Tel.: +41 615 114 260

[sales.ch@sera-web.com](mailto:sales.ch@sera-web.com)

### sera Tecnología Iberia S.L.

Calle Cocentaina nº8,  
03420 Castalla (Alicante)  
Spain

Tel.: +34 666 024 388

[sales.es@sera-web.com](mailto:sales.es@sera-web.com)

### sera Technology UK Ltd.

Unit 5, Granary Wharf Business Park  
Wetmore Road, Burton upon Trent  
Staffordshire DE14 1DU  
United Kingdom

Tel.: +44 1283 753 400

[sales.uk@sera-web.com](mailto:sales.uk@sera-web.com)

### sera Technology SA (PTY) Ltd.

Unit 3-4, Airborne Park  
Cnr Empire & Taljaard Str Bartletts  
Boksburg, 1459 Gauteng  
South Africa

Tel.: +27 113 975 120

[sales.za@sera-web.com](mailto:sales.za@sera-web.com)

### sera Tecnología Italia

Milan  
Italy

Tel.: +39 340 81 92 744

[sales.it@sera-web.com](mailto:sales.it@sera-web.com)

### sera Technology MENA

Dubai  
UAE

Tel.: +971 589 287 559

[sales.mena@sera-web.com](mailto:sales.mena@sera-web.com)

[www.sera-web.com](http://www.sera-web.com)

