

# CVD COMPACT DOSING SYSTEMS, VERTICAL



# COMPACT DOSING SYSTEM, VERTICAL

## SAMPLE APPLICATIONS

- Drinks industry
- Food industry
- Dye and paint manufacturing
- Power station technology
- Water treatment
- Shipbuilding
- Electroplating
- Textile industry
- Wastewater treatment

## ADVANTAGES AT A GLANCE

- Maximum dosing accuracy and safety through the use of the latest dosing and pump technology
- High-quality materials that can be integrated and used flexibly and variably
- Minimal space required on site because of extremely compact design
- Small variety of parts because standard components are used
- Short delivery times and availability
- Minimal installation and commissioning work thanks to **sera** "Plug&Dose" standard configuration



# VERSIONS



## CVD1 – COMPACT DOSING SYSTEM, VERTICAL

Flow rate: Up to 1450 l/h

Pressure: Up to 10 bar

### OVERVIEW

- State-of-the-art pump technology
- Standardised mounting plates
- Space-saving wall mount
- Wide range of applications
- High standard of safety
- Large performance range
- High dosing accuracy
- Ease of use
- Low maintenance
- Complete range of accessories



## CVD2 – COMPACT DOSING SYSTEM, VERTICAL

Flow rate: Up to 2x 1450 l/h

Pressure: Up to 10 bar

### OVERVIEW

- State-of-the-art pump technology
- Standardised mounting plates
- Space-saving wall mount
- Wide range of applications
- High standard of safety
- Large performance range
- High dosing accuracy
- Ease of use
- Low maintenance
- Complete range of accessories

# TECHNICAL DATA

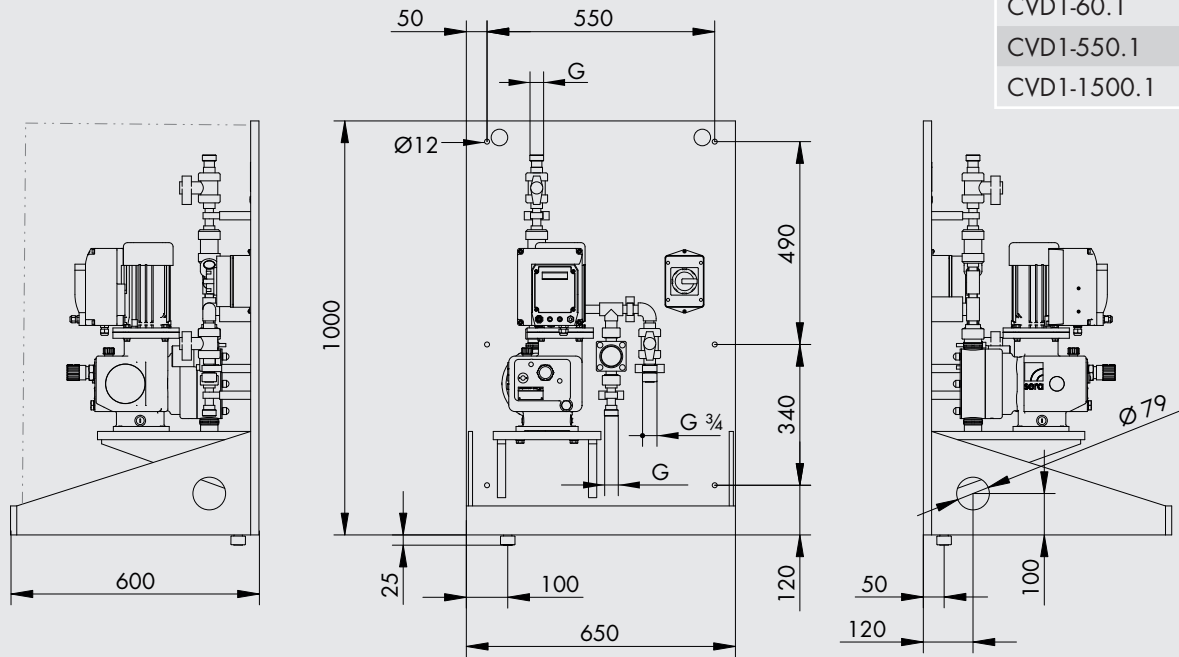
UNIT DATA		CVD1(s)-60.1	CVD1(s)-550.1	CVD1(s)-1500.1
Flow capacity	l/h	0 - 60	0 - 550	0 - 1500
Permissible counter pressure	bar (max)	10	8	5
Permissible suction head	mWC (max)	3	3	3
Number of pumps	Quantity	1	1	1

UNIT DATA		CVD2-60.1	CVD2-550.1	CVD2-1500.1
Flow capacity	l/h	2x 0 - 60	2x 0 - 550	2x 0 - 1500
Permissible counter pressure	bar (max)	10	8	5
Permissible suction head	mWC (max)	3	3	3
Number of pumps	Quantity	2	2	2

PUMP ASSIGNMENT			CVD1(s) - 60.1	CVD1(s) - 550.1	CVD1(s) - 1500.1	CVD2 - 60.1	CVD2 - 550.1	CVD2 - 1500.1
C204.1 - 2,4 e	...	C204.1 - 35 e	■			■		
iSTEP S 20	...	iSTEP S 50	■			■		
RF409.2 - 2,4 e	...	RF409.2 - 50 e	■			■		
C409.2 - 25 e...	...	C409.2 - 50 e...	■			■		
RF410.2 - 11 ML	...	RF410.2 - 45 ML	■			■		
C410.2 - 11 ML	...	C410.2 - 45 ML	■			■		
RF409.2 - 75 e	...	RF409.2 - 350 e		■			■	
C409.2 - 75 e...	...	C409.2 - 350 e...		■			■	
RF410.2 - 280 e	...	RF410.2 - 570 e		■			■	
C410.2 - 280 e	...	C410.2 - 570 e		■			■	
RF410.2 - 110 ML	...	RF410.2 - 500 ML		■			■	
C410.2 - 110 ML	...	C410.2 - 500 ML		■			■	
RF410.2 - 570 e	...	RF410.2 - 1450 e			■			■
C410.2 - 570 e	...	C410.2 - 1450 e			■			■
RF410.2 - 1200 ML					■			■
C410.2 - 1200 ML					■			■

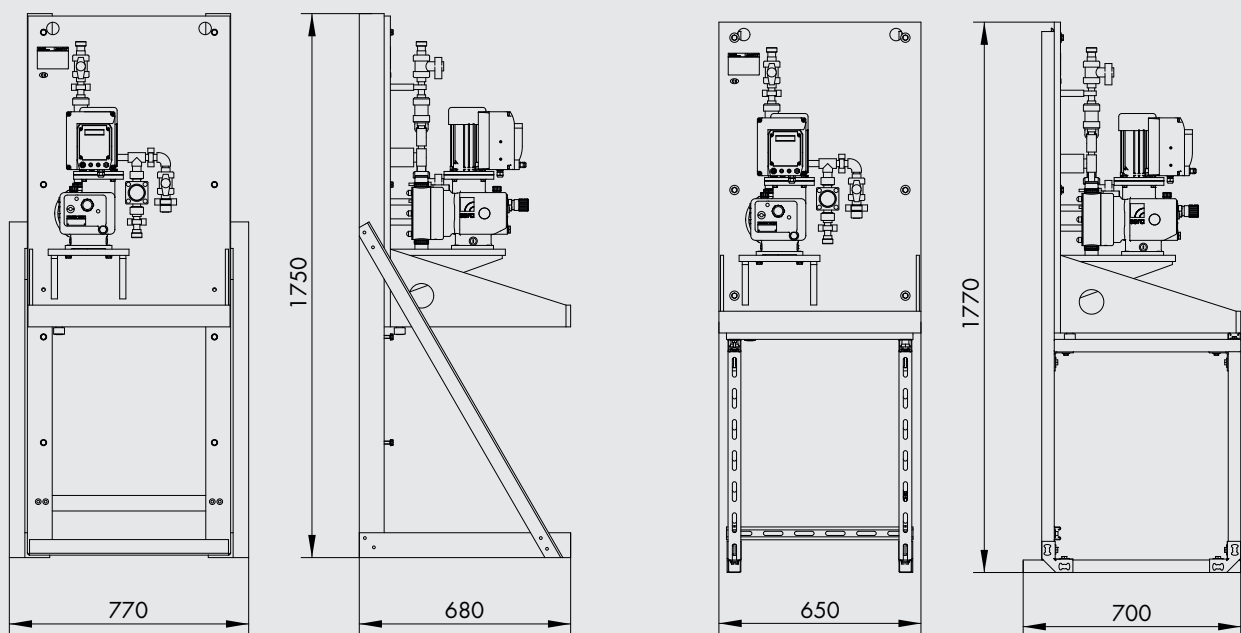
# DIMENSIONS CVD1s

## CVD1s Wall assembly



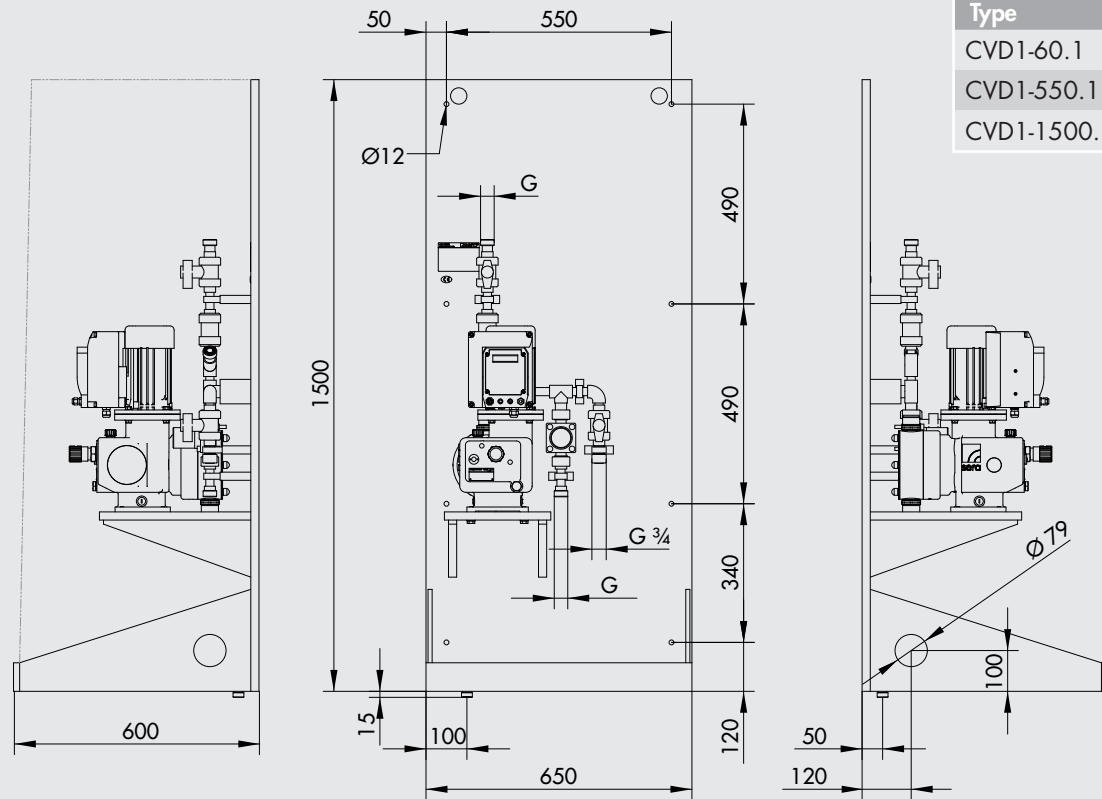
## CVD1s Floor assembly (GFR stand)

## CVD1s Floor assembly (steel stand)



# DIMENSIONS CVD1

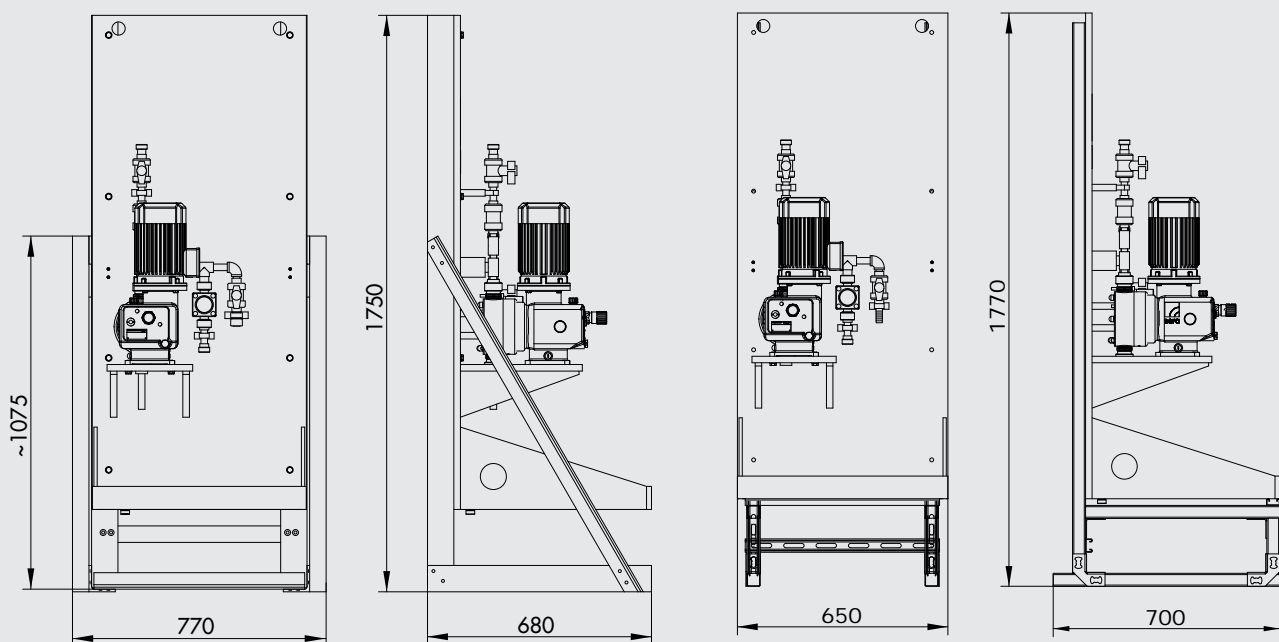
## CVD1 Wall assembly



Type	G
CVD1-60.1	G 3/4
CVD1-550.1	G1
CVD1-1500.1	G1½

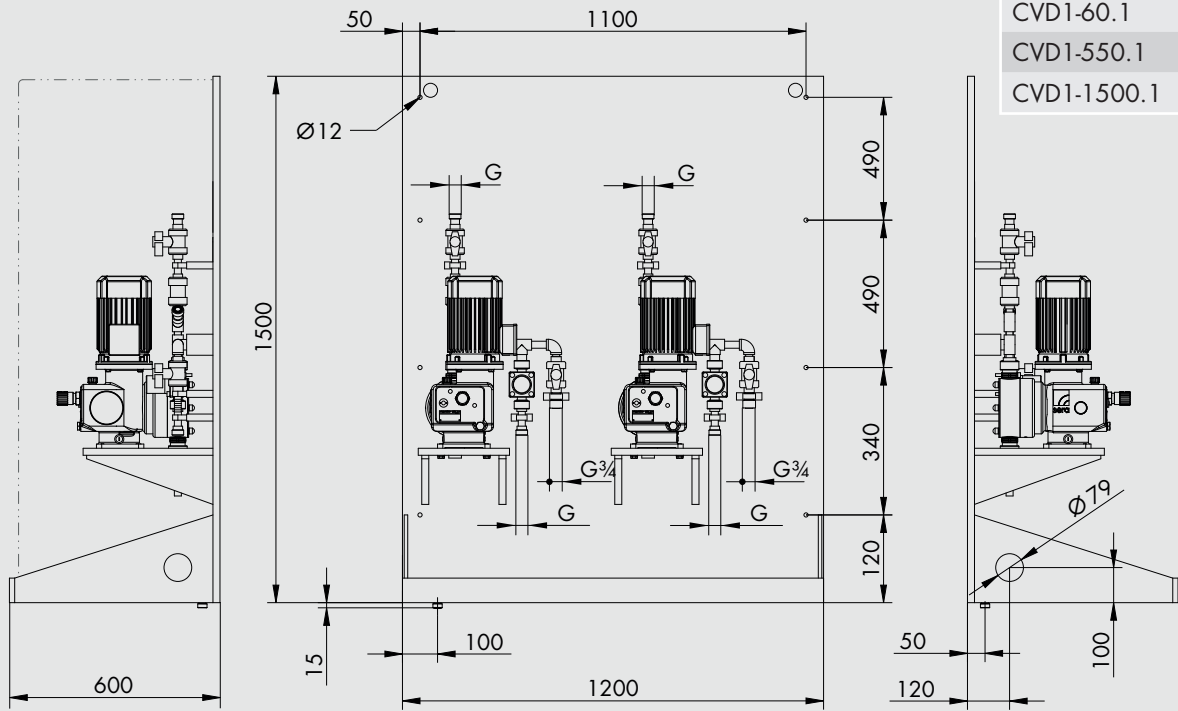
## CVD1 Floor assembly (GFR stand)

## CVD1 Floor assembly (steel stand)



# DIMENSIONS CVD2

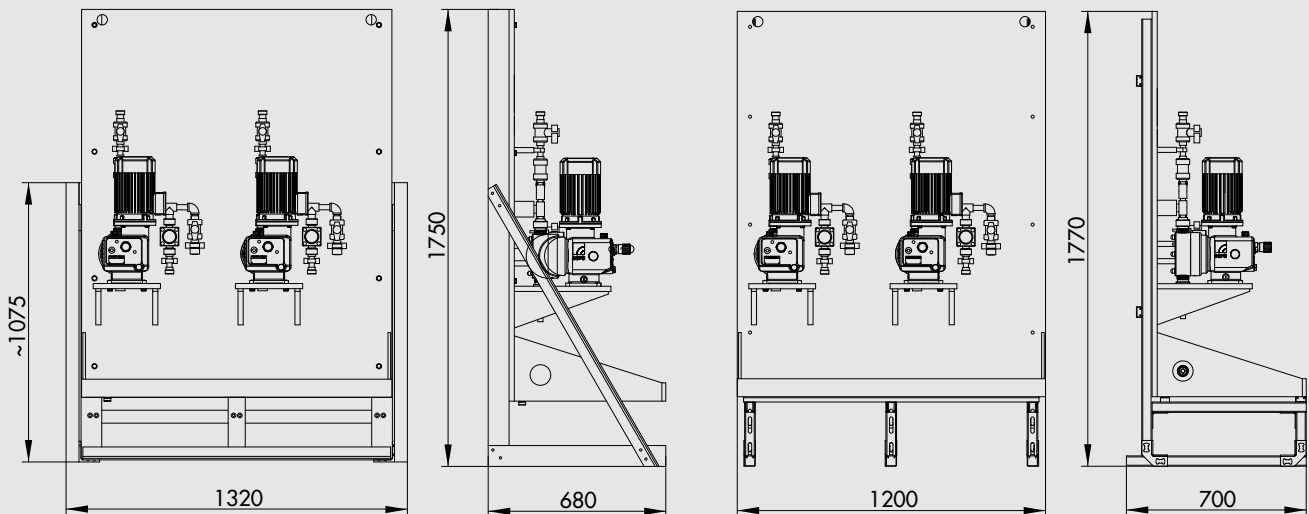
## CVD2 Wall assembly



Type	G
CVD1-60.1	G 3/4
CVD1-550.1	G1
CVD1-1500.1	G1½

## CVD2 Floor assembly (GFR stand)

## CVD2 Floor assembly (steel stand)



# BASIC DESIGN

## CVD1s

### DOSING PUMP SELECTION

MULTIPHASE MOTOR PUMPS  
iSTEP



SOLENOID DIAPHRAGM PUMPS  
C204.1



DIAPHRAGM PUMPS  
RF /C409.2e



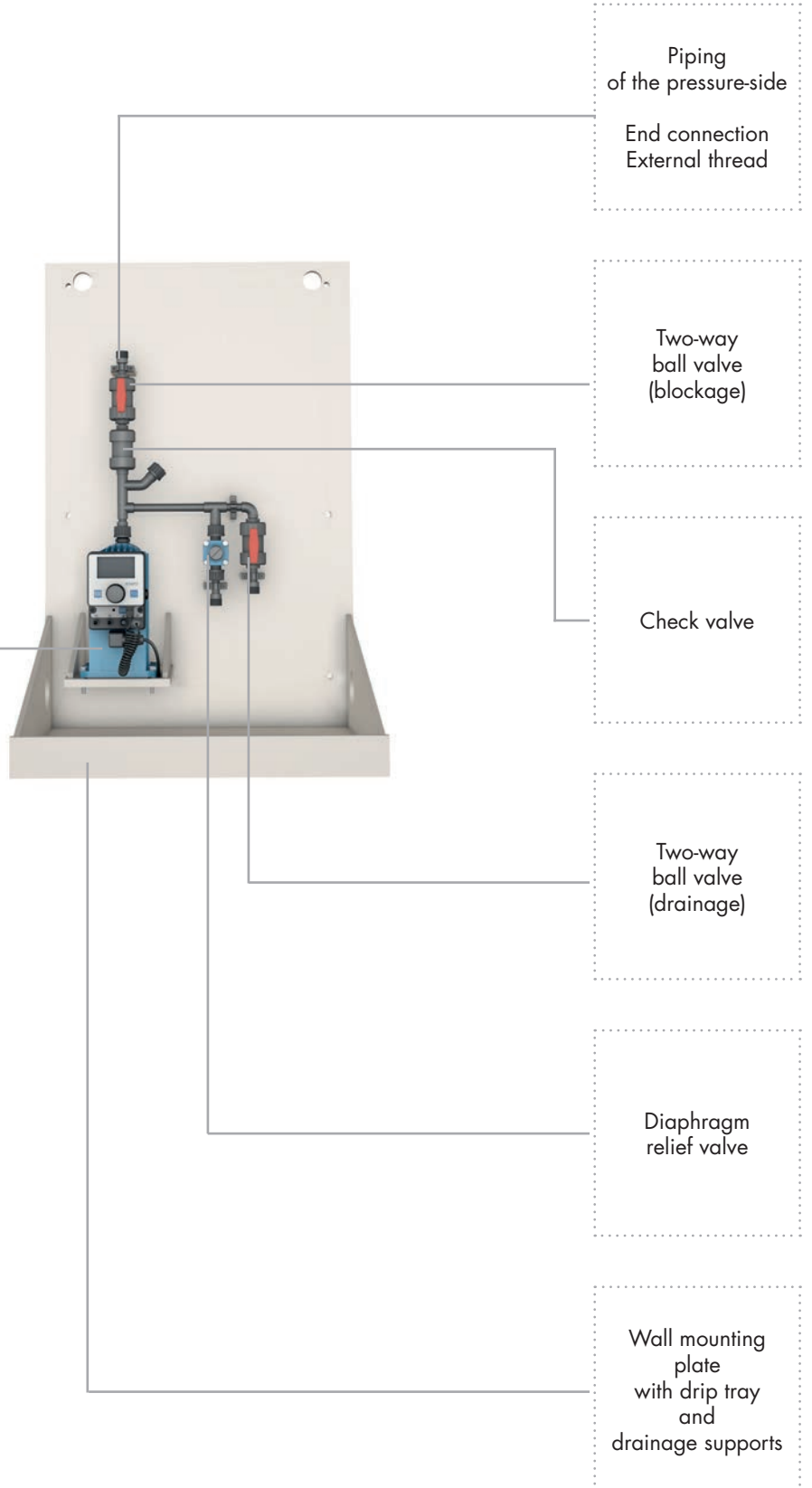
DIAPHRAGM PUMPS  
RF /C410.2e



MULTI-LAYER DIAPHRAGM PUMPS  
RF /C409.2ML



MULTI-LAYER DIAPHRAGM PUMPS  
RF /C410.2ML



Piping  
of the pressure-side  
End connection  
External thread

Two-way  
ball valve  
(blockage)

Check valve

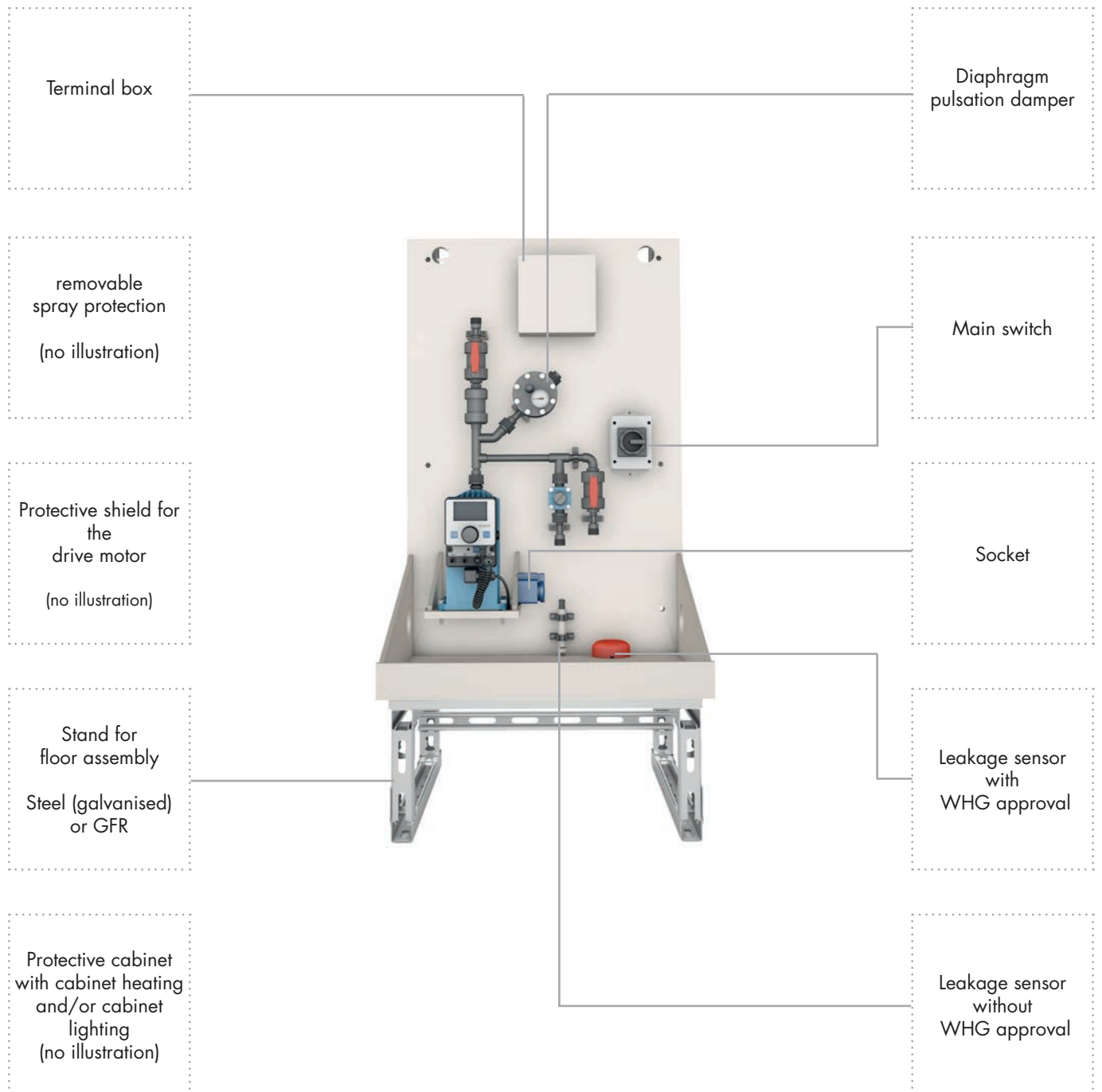
Two-way  
ball valve  
(drainage)

Diaphragm  
relief valve

Wall mounting  
plate  
with drip tray  
and  
drainage supports



# ADDITIONAL FEATURES CVD1s



# BASIC DESIGN CVD1

## DOSING PUMP SELECTION

MULTIPHASE MOTOR PUMPS  
iSTEP



SOLENOID DIAPHRAGM PUMPS  
C204.1



DIAPHRAGM PUMPS  
RF /C409.2e



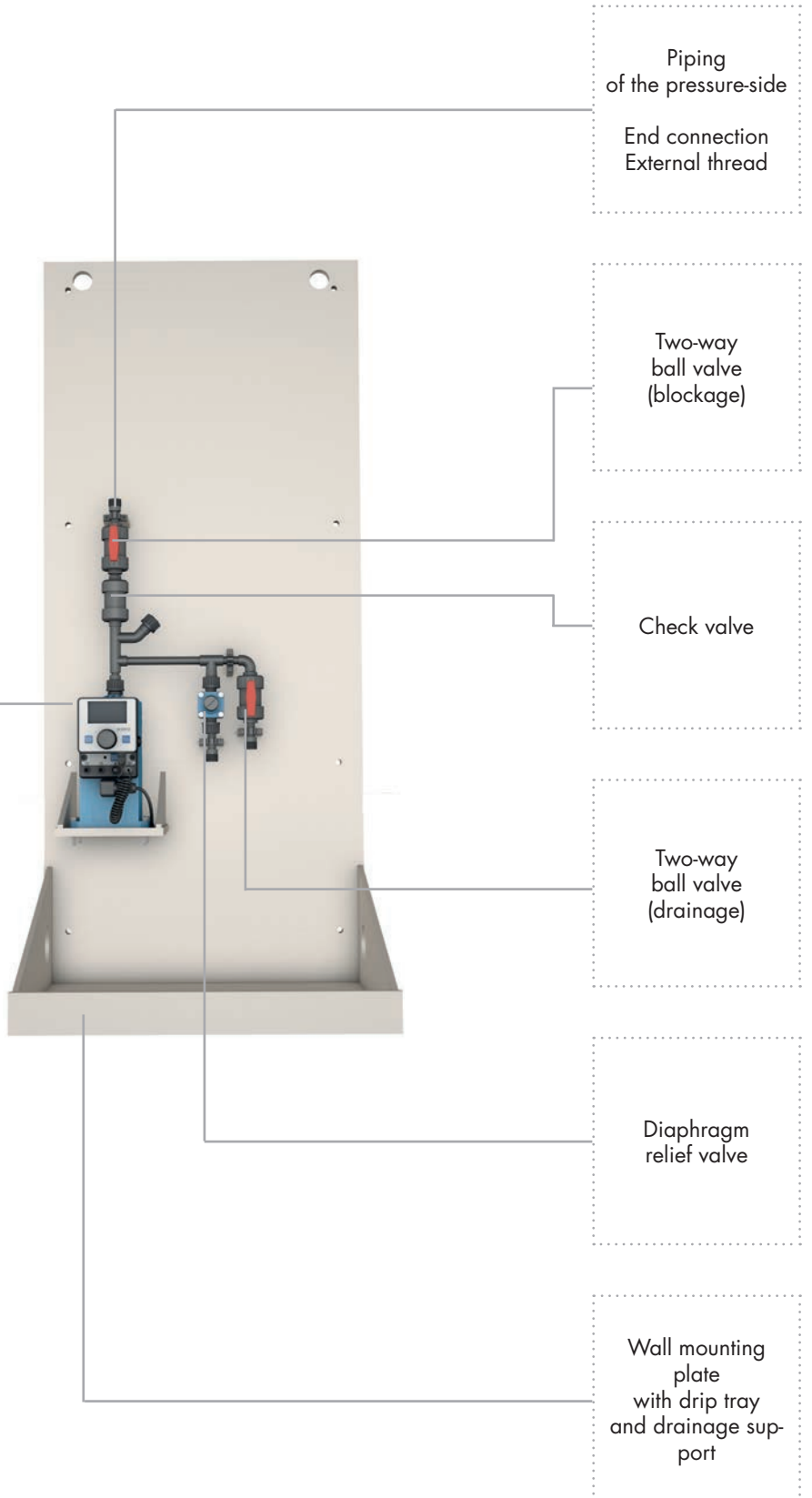
DIAPHRAGM PUMPS  
RF /C410.2e



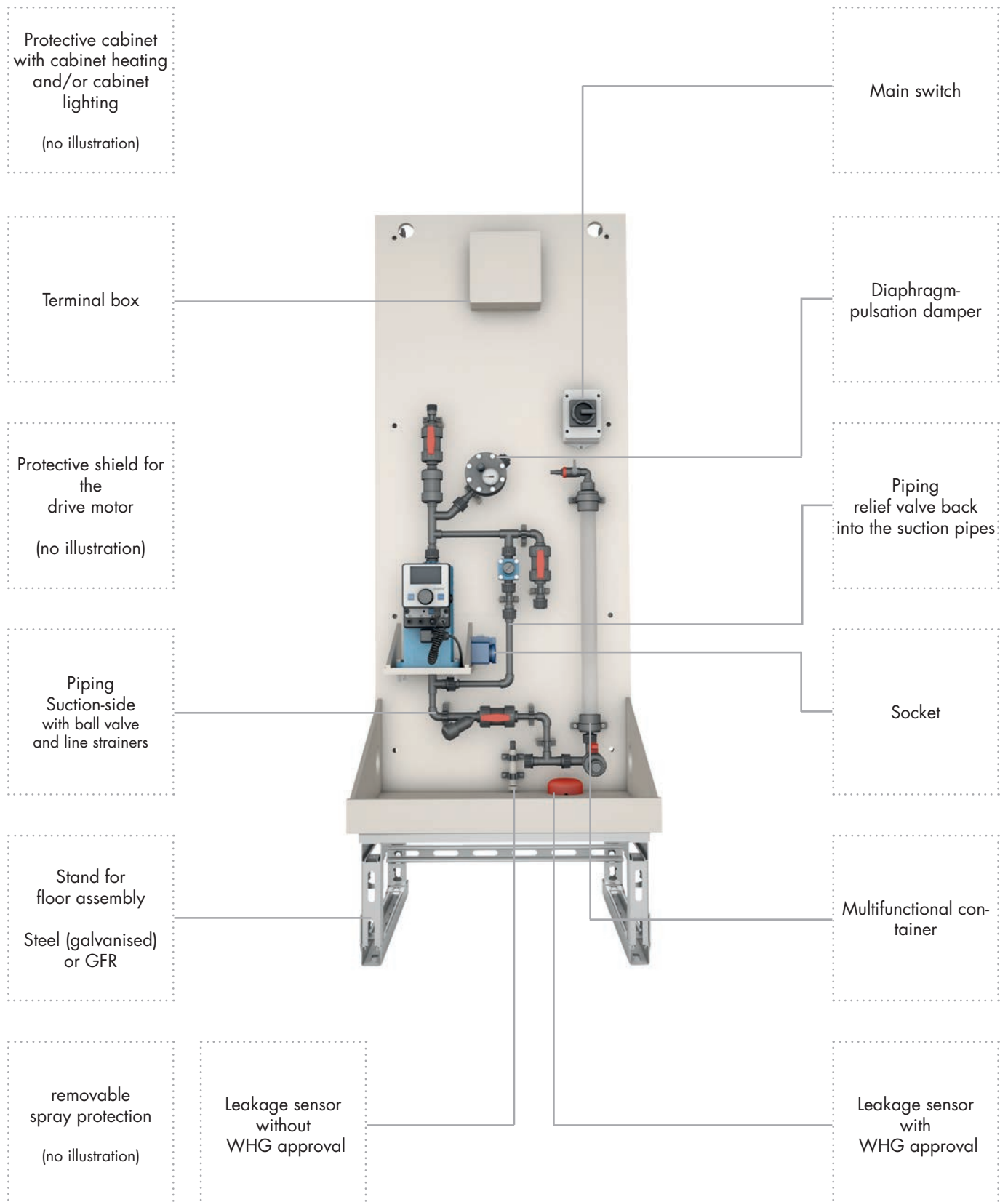
MULTI-LAYER DIAPHRAGM PUMPS  
RF /C409.2ML



MULTI-LAYER DIAPHRAGM PUMPS  
RF /C410.2ML



# ADDITIONAL FEATURES CVD1



# BASIC DESIGN CVD2

## DOSING PUMP SELECTION

MULTIPHASE MOTOR PUMPS  
iSTEP



SOLENOID DIAPHRAGM PUMPS  
C204.1



DIAPHRAGM PUMPS  
RF/C409.2e



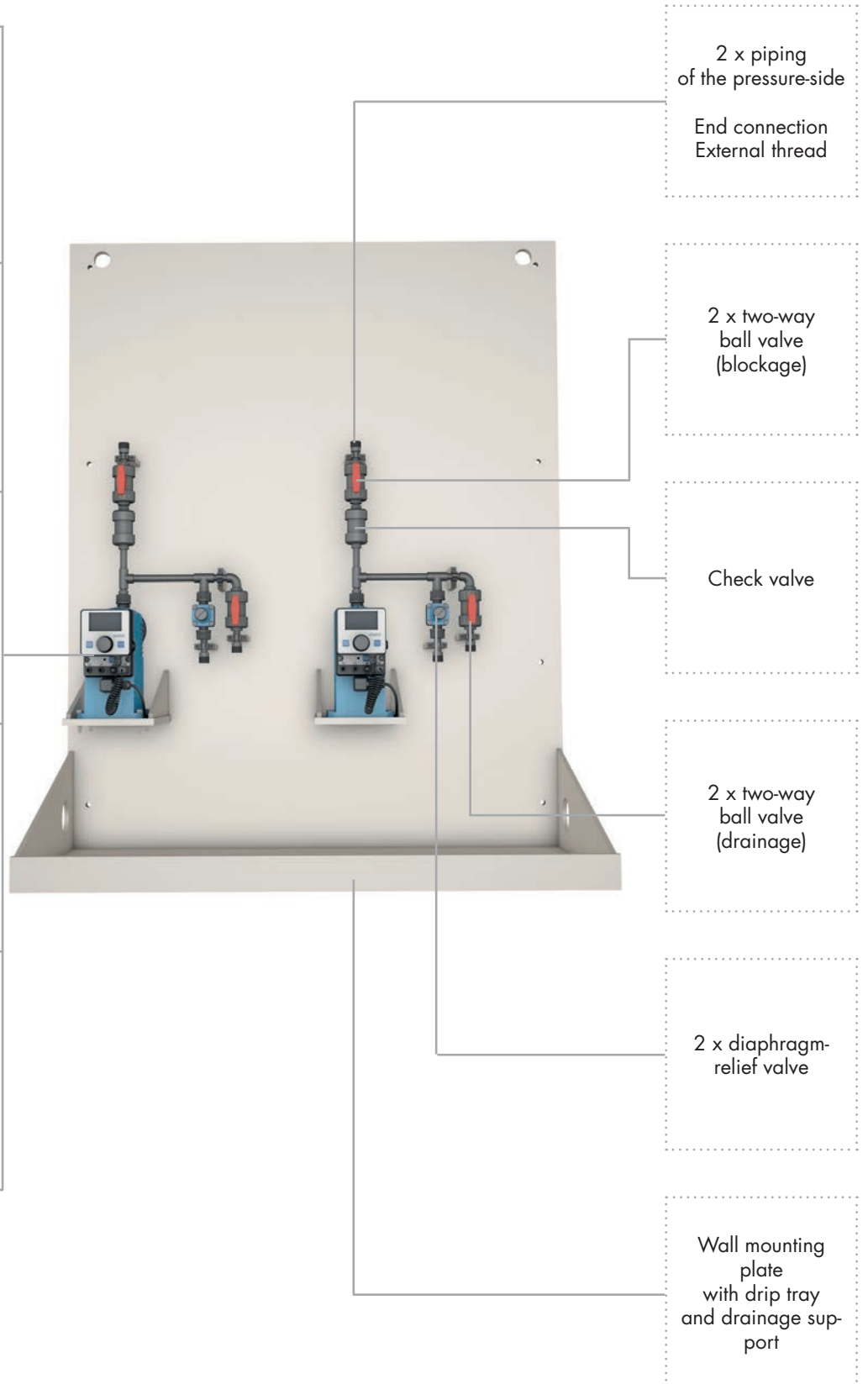
DIAPHRAGM PUMPS  
RF/C410.2e



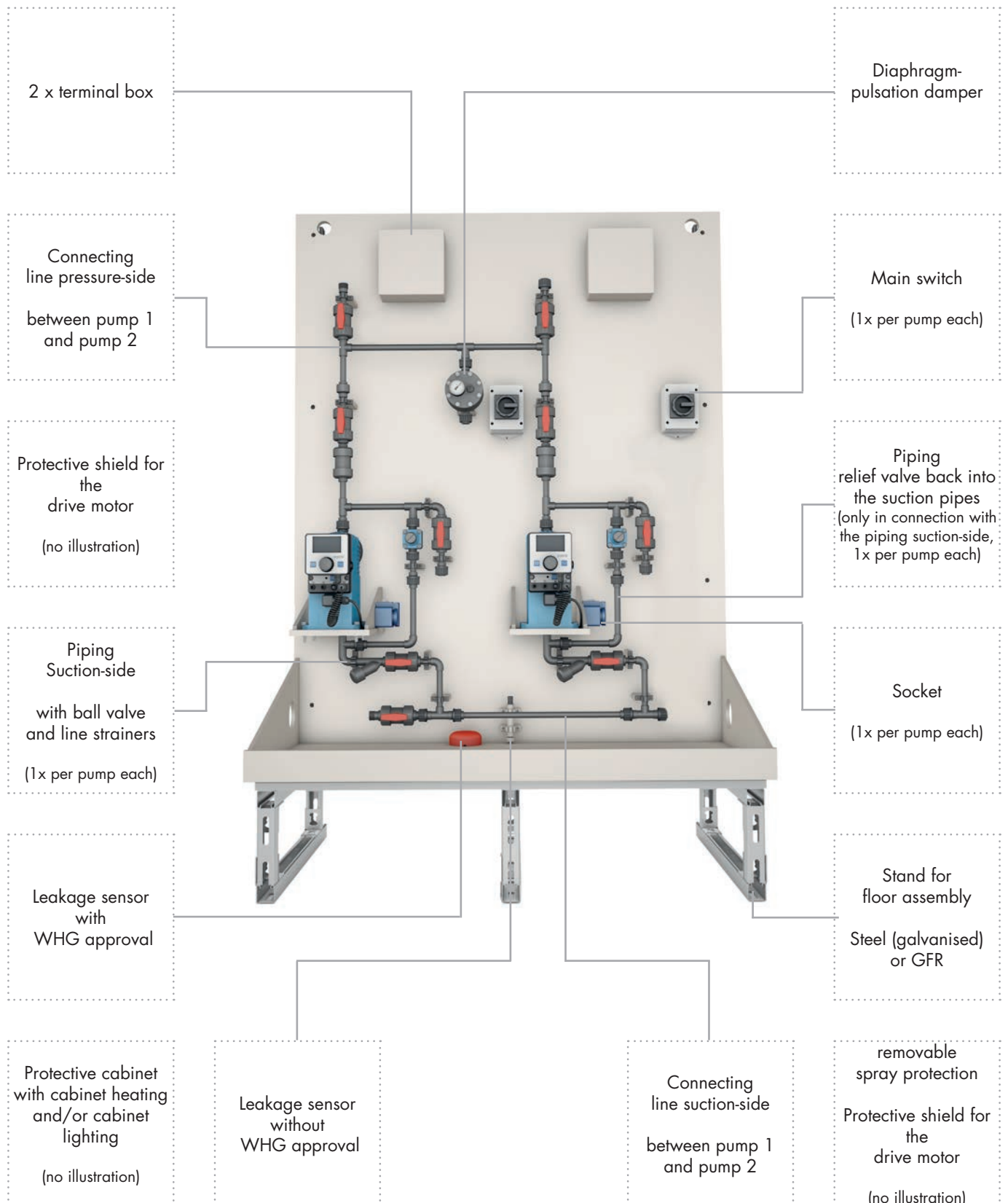
MULTI-LAYER DIAPHRAGM PUMPS  
RF/C409.2ML



MULTI-LAYER DIAPHRAGM PUMPS  
RF/C410.2ML

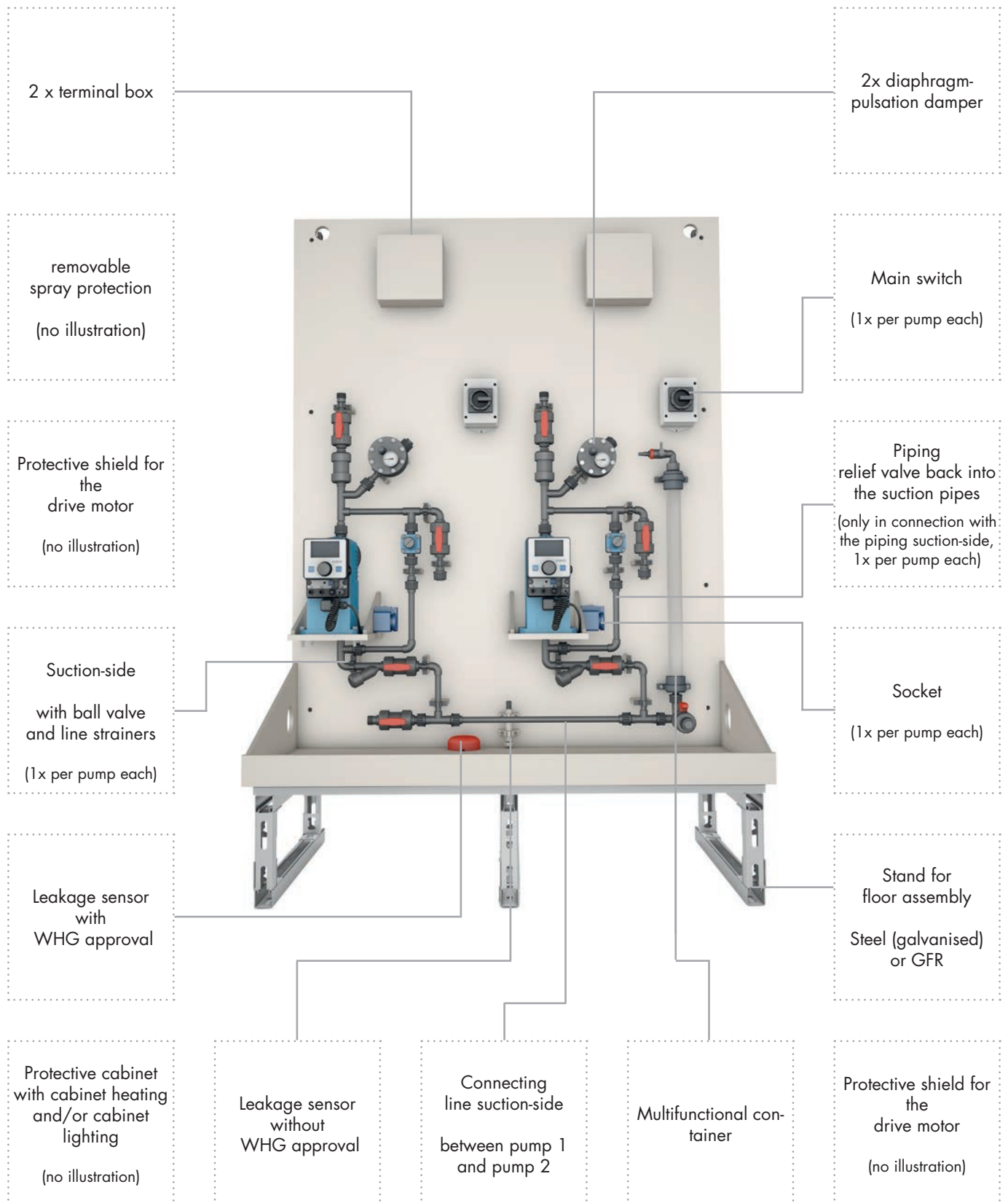


# ADDITIONAL FEATURES CVD2 (STAND-BY-INSTALLATION)

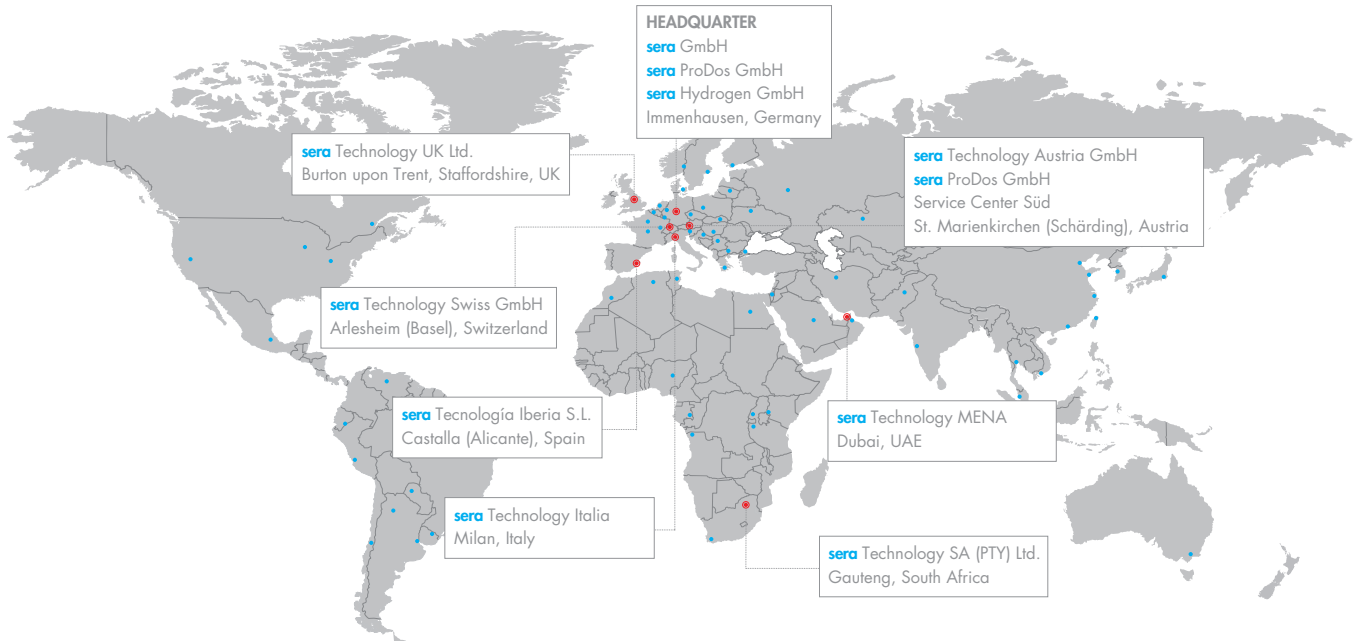


# ADDITIONAL FEATURES

## CVD2 (2 X 100% - INSTALLATION)







## WORKING FOR YOU ALL OVER THE WORLD

### **sera** GmbH

sera-Straße 1  
 34376 Immenhausen  
 Germany

Tel.: +49 5673 999-02

[info@sera-web.com](mailto:info@sera-web.com)

### **sera** ProDos GmbH

sera-Straße 1  
 34376 Immenhausen  
 Germany

Tel.: +49 5673 999-02

[sales.prodos@sera-web.com](mailto:sales.prodos@sera-web.com)

### **sera** Hydrogen GmbH

sera-Straße 1  
 34376 Immenhausen  
 Germany

Tel.: +49 5673 999-04

[sales.hydrogen@sera-web.com](mailto:sales.hydrogen@sera-web.com)

### **sera** ProDos GmbH Service Center Süd

Gewerbestraße 5  
 4774 St. Marienkirchen bei Schärding  
 Austria

Tel.: +49 5673 999-02

[sales.prodos@sera-web.com](mailto:sales.prodos@sera-web.com)

### **sera** Technology Austria GmbH

Gewerbestraße 5  
 4774 St. Marienkirchen bei Schärding  
 Austria

Tel.: +43 771 131 7770

[sales.at@sera-web.com](mailto:sales.at@sera-web.com)

### **sera** Technology Swiss GmbH

Altenmattweg 5  
 4144 Arlesheim  
 Switzerland

Tel.: +41 615 114 260

[sales.ch@sera-web.com](mailto:sales.ch@sera-web.com)

### **sera** Technology UK Ltd.

Unit 5, Granary Wharf Business Park  
 Wetmore Road, Burton upon Trent  
 Staffordshire DE14 1DU  
 United Kingdom

Tel.: +44 1283 753 400

[sales.uk@sera-web.com](mailto:sales.uk@sera-web.com)

### **sera** Technology SA (PTY) Ltd.

Unit 3-4, Airborne Park  
 Cnr Empire & Taljaard Str Bartletts  
 Boksburg, 1459 Gauteng  
 South Africa

Tel.: +27 113 975 120

[sales.za@sera-web.com](mailto:sales.za@sera-web.com)

### **sera** Tecnología Iberia S.L.

Calle Cocentina n°8,  
 03420 Castalla  
 (Alicante)  
 Spain

Tel: +34 666 024 388

[sales.es@sera-web.com](mailto:sales.es@sera-web.com)

### **sera** Technology Italia

Milan  
 Italy

Tel.: +39 340 81 92 744

[sales.it@sera-web.com](mailto:sales.it@sera-web.com)

### **sera** Technology MENA

Dubai  
 UAE

Tel.: +971 589 287 559

[sales.mena@sera-web.com](mailto:sales.mena@sera-web.com)

[www.sera-web.com](http://www.sera-web.com)

