

MULTI-LAYER DIAPHRAGM PUMP 409.2...ML / 410.2...ML



PUMP TYPE

RF/R/MF/M	409.2 - 11	ML	C 409.2 - 11	ML	Pro+
RF/R/MF/M	409.2 - 17	ML	C 409.2 - 17	ML	Pro+
RF/R/MF/M	409.2 - 30	ML	C 409.2 - 30	ML	Pro+
RF/R/MF/M	409.2 - 45	ML	C 409.2 - 45	ML	Pro+
RF/R/MF/M	409.2 - 72	ML	C 409.2 - 72	ML	Pro+
RF/R/MF/M	409.2 - 110	ML	C 409.2 - 110	ML	Pro+
RF/R/MF/M	409.2 - 150	ML	C 409.2 - 150	ML	Pro+
RF/R/MF/M	409.2 - 220	ML	C 409.2 - 220	ML	Pro+
RF/R/MF/M	410.2 - 135	ML	C 410.2 - 135	ML	
RF/R/MF/M	410.2 - 500	ML	C 410.2 - 500	ML	
RF/R/MF/M	410.2 - 1200	ML	C 410.2 - 1200	ML	

i NOTE

Record the exact type and serial number here ► can be read off the type plate on the pump.
 These data are important in the case of queries or for ordering spare and/or wear parts and must always be stated.

TYPE:

SERIAL NO:

i NOTE

Keep the operating manual for future use!

⚠ ATTENTION

Subject to technical modifications!

Quality notes

The **sera** quality management and quality assurance system is certified in accordance with DIN EN ISO 9001:2015.
 The **sera** product complies with the applicable safety requirements and accident prevention regulations.

About this instructions

Special notes in these instructions are marked with text and danger symbols.

NOTE

Notes or instructions that facilitate work and ensure a safe operation.

ATTENTION

The non-observance of these safety instructions can result in malfunctions or material damages.

WARNING

The non-observance of these safety instructions can lead to material damages and personal injuries.



Note on the additional instructions „SAFETY INSTRUCTIONS SI01“.

These technical manual is divided into the following main parts:

TRANSPORT & STORAGE	page 6
PRODUCT DESCRIPTION	page 7
TECHNICAL DATA	page 19
ASSEMBLY / INSTALLATION	page 41
OPERATION / EXPLOSION-HAZARDOUS AREAS	page 48
START-UP	page 50
ELECTRICAL CONNECTION	page 51
MAINTENANCE	page 52
FAULT ANALYSIS / CORRECTIVE ACTION	page 60
SHUT-DOWN / DISPOSAL	page 62
CLEARANCE CERTIFICATE	page 63

Depending on the pump type (see order confirmation) the following additional instructions are included:

Diaphragm monitoring	TM06
Control Pro+	TM04
INTERFACE MODULE PROFIBUS Pro+	TM05
INTERFACE MODULE PROFINET Pro+	TM07
Control C410.2	TM10
Control PROFIBUS C410.2	TM13
Motor ATEX	supplier documentation
AC motor	supplier documentation
Electrical actuator	supplier documentation
Electrical actuator ATEX	supplier documentation
Pneumatic actuator	supplier documentation
Frequency converter	supplier documentation
Special construction	sera drawing

TRANSPORT & STORAGE	6
General	6
Storage.....	6
PRODUCT DESCRIPTION	7
Type key	7
Type plate	8
Notes attached to the product.....	8
Materials	8
Components ...409.2 ML.....	9
Components C409.2 ML.....	10
Components ...410.2 ML.....	11
Components C410.2 ML.....	12
TECHNICAL DATA	19
PUMP DATA	19
ELECTRICAL DATA	21
NOISE MEASUREMENT	23
VISCOSITY, PUMPED MEDIUM	23
TEMPERATURE DATA	23
AMBIENT CONDITIONS	23
Characteristics	24
Dimensions RF409.2 standard	26
Dimensions ...409.2 options	28
Dimensions C409.2 standard.....	30
Dimensions C409.2 options	32
Dimensions RF410.2 standard.....	34
Dimensions ...410.2 options	36
Dimensions C410.2 standard.....	38
Dimensions C410.2 options	40
ASSEMBLY / INSTALLATION	41
OPERATION / EXPLOSION-HAZARDOUS AREAS	48
Operation in Ex-zone C409.2	48
Operation in Ex-zone RF409.2	48
START-UP	50
ELECTRICAL CONNECTIONS	51
MAINTENANCE	52
Drive motor	52
Oil change.....	53
Overview of the tightening torques.....	53
Changing the Diaphragm.....	54
Spare and wearing parts	57
FAULT ANALYSIS / CORRECTIVE ACTION	60
Shut-down	62
Disposal.....	62
SHUT-DOWN / DISPOSAL	62
CLEARANCE CERTIFICATE	63



WARNING

Observe and follow the safety instructions by all means.
See the additional instructions „SAFETY INSTRUCTIONS“.
Man, machine and environment are endangered if the safety instructions are not observed.



General

sera products are checked for perfect condition and function previous to shipment.
Check for transport damage immediately after arrival of goods. If damage is found, this is to be reported immediately to the responsible carrier and the manufacturer.

Storage

An undamaged packaging protects the unit during storage and should only be opened when the product is installed.
Proper storage increases the service life of the product and includes prevention of negative influences such as heat, moisture, dust, chemicals etc.

The following storage specifications are to be observed:

- Storage place: cool, dry, dustfree and slightly ventilated
- Storage temperature and relative air humidity see Chapter „TECHNICAL DATA“.
- The maximum storage time for the standard packaging is 12 months.

If these values are exceeded, metal products should be sealed in foil and protected from condensation water with a suitable desiccant.

Do not store solvents, fuels, lubricants, chemicals, acids, disinfectants and similar in the storage room.

Type key

Type of drive (combinations possible)

- C controllable
- M not mechanically adjustable
- R mechanically adjustable
- F Motor suitable for frequency converter operation
- i Frequency converter, mounted on the motor
- K Stroke mechanism with side drive shaft and connected to the drive via a clutch
- Z twin design
- X Stroke mechanism with two opposite pump heads, combined suction and pressure side
- Y Stroke mechanism with two opposite pump heads

Series

- 204 (solenoid driven pumps)
- 409 (motor driven pumps)
- 410 (motor driven pumps)
- 411 (motor driven pumps)

Revision index

max. Nominal capacity (litre/hour (each pump head))

Displacer (type of construction)

- e Single diaphragm
- ML Multi-layer diaphragm
- KM Piston diaphragm
- K Piston

Type of control

Pro+

1

2

3

4

5

6

C

409

.

2

-

45

ML

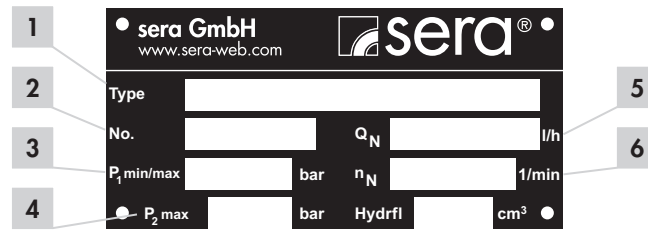
Pro+

(example)

PRODUCT DESCRIPTION

Type plate

Each **sera** pump is factory provided with a type plate. The following information can be found on this type plate.



No.	Designation
1	Pump type
2	Serial number of the pump
3	Minimum/maximum permissible pressure in the pump inlet Minimum/maximum permissible pressure in the inlet cross section which the pump can be used for. Please consider that pressure depends on rotation speed, delivery rate, temperature and static pressure at the inlet.
4	Maximum permissible pressure in the pump outlet Maximum permissible pressure in the outlet cross section which the pump can be used for. Please consider that pressure depends on rotation speed, delivery rate, temperature and static pressure at the outlet.
5	Nominal delivery rate Delivery rate which the pump was ordered for, based on the nominal rotation speed n _N , the nominal delivery height p ₂ max. and the delivery medium stated in the supply contract.
6	Nominal stroke frequency

Notes attached to the product

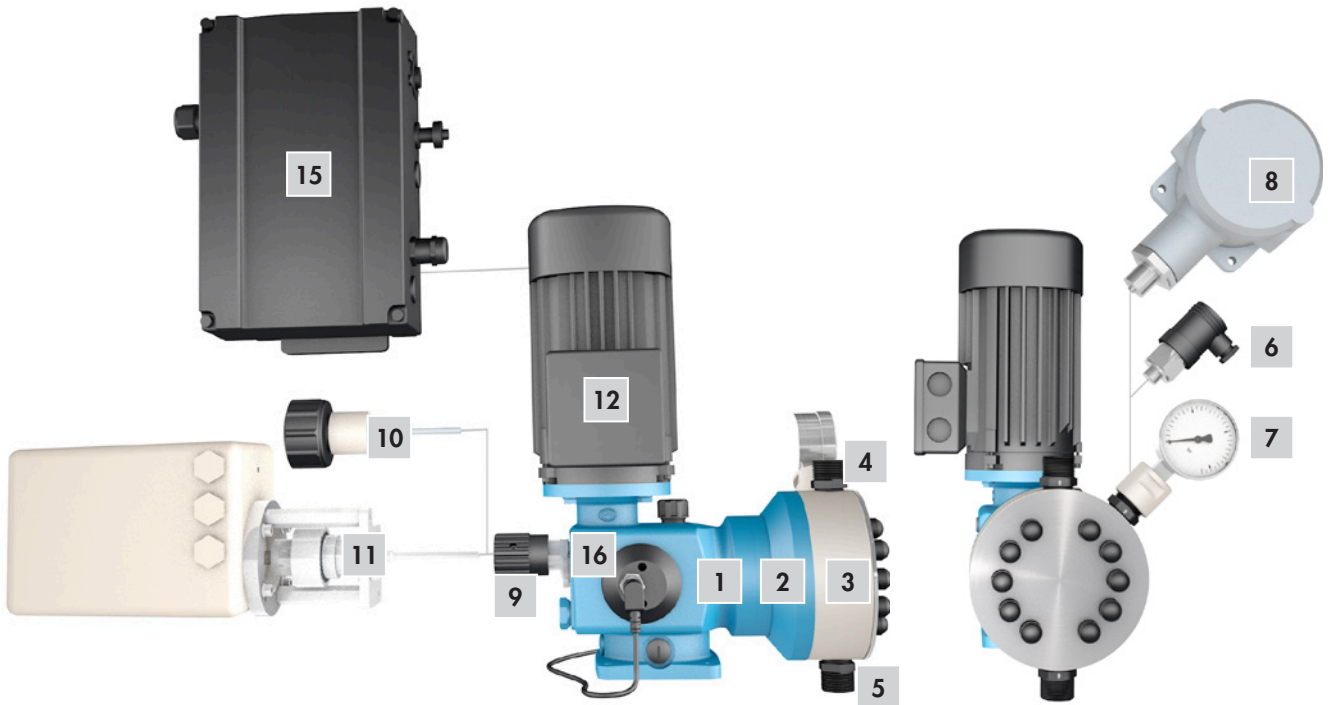
Symbols which are directly attached to the pump, e.g. arrows for direction of rotation or symbols for fluid connections are to be observed and kept in legible condition.

Materials

The materials used are stated in the order confirmation and the product description.

sera dosing pumps are run-dry safe oscillating displacement pumps that are characterised by high tightness of the dosing head. The fluid is conveyed by a deformable multi-layer diaphragm.

Components ...409.2 ML

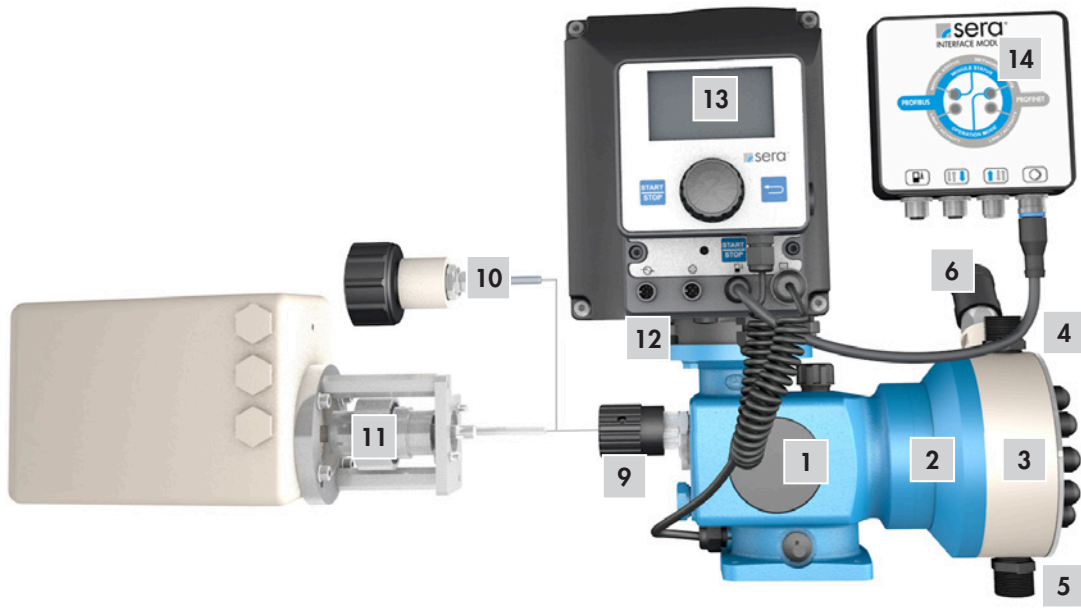


No.	Designation	Remark
1	Stroke mechanism	
2	Assembly pump	
3	Pump body	
4	Pressure valve	
5	Suction valve	
6	Diaphragm monitoring by pressure switch	option
7	Diaphragm monitoring by manometer	
8	Diaphragm monitoring by pressure switch (Ex-Area)	option
9	Manual stroke length adjustment	
10	Manual stroke length adjustment with position indicator	option
11	Stroke length adjustment with actuator	option
12	Motor	
15	Frequency converter *	option
16	Stroke frequency transmitter	option
not illustrated	Blind plug	option (M-design)
not illustrated	Motor for Ex-area *	option (R-design)
not illustrated	Actuator for Ex-area *	option
not illustrated	Pneumatic actuator *	option

* see enclosed documentation

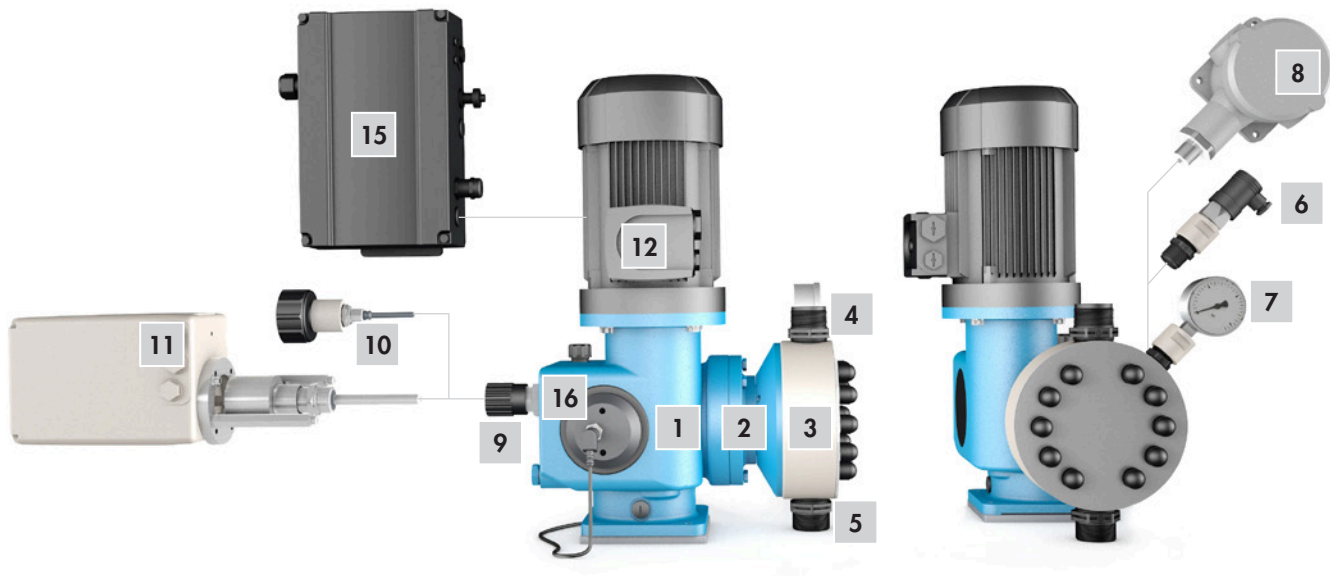
PRODUCT DESCRIPTION

Components C409.2 ML



No.	Designation	Remark
1	Stroke mechanism	
2	Assembly pump	
3	Pump body	
4	Pressure valve	
5	Suction valve	
6	Diaphragm monitoring by pressure switch	
9	Manual stroke length adjustment	
10	Manual stroke length adjustment with position indicator	option
11	Stroke length adjustment with actuator	option
12	Motor	
13	Control Pro+ with removable control element	
14	INTERFACE MODULE	accessories
not illustrated	Suction lances connection	accessories

Components ...410.2 ML



No.	Designation	Remark
1	Stroke mechanism	
2	Assembly pump	
3	Pump body	
4	Pressure valve	
5	Suction valve	
6	Diaphragm monitoring by pressure switch	option
7	Diaphragm monitoring by manometer	
8	Diaphragm monitoring by pressure switch (Ex-Area)	option
9	Manual stroke length adjustment	
10	Manual stroke length adjustment with position indicator	option
11	Stroke length adjustment with actuator	option
12	Motor	
15	Frequency converter *	option
16	Stroke frequency transmitter	option
not illustrated	Blind plug	option (M-design)
not illustrated	Motor for Ex-area *	option (R-design)
not illustrated	Actuator for Ex-area *	option
not illustrated	Pneumatic actuator *	option

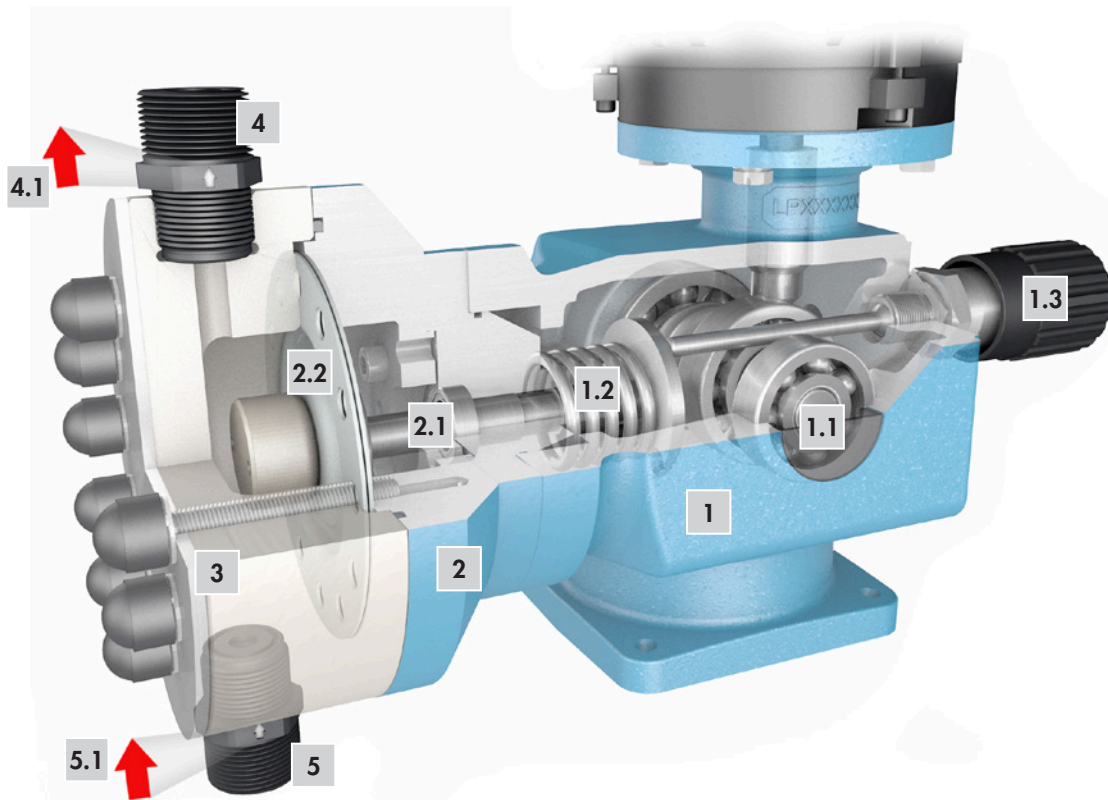
* see enclosed documentation

PRODUCT DESCRIPTION

Components C410.2 ML



No.	Designation	Remark
1	Stroke mechanism	
2	Assembly pump	
3	Pump body	
4	Pressure valve	
5	Suction valve	
6	Diaphragm monitoring by pressure switch	
9	Manual stroke length adjustment	
10	Manual stroke length adjustment with position indicator	option
11	Stroke length adjustment with actuator	option
12	Motor	
13	Control C410.2	



Stroke mechanism (1)

Piston diaphragm pumps of this type series use a rotary cam drive to transmit the rotation of the drive motor to the displacement body.

In case of the rotary cam drive, the eccentric (1.1) provides the pressure stroke while the suction stroke is performed by a pressure spring (return spring) (1.2).

The effective stroke length can be changed by means of an adjustable scale knob (1.3) which prevents the connecting rod from following the rotary cam up to the rear dead centre during suction stroke (see stroke length adjustment).

Assembly pump (2)

The multi-layer diaphragm (2.2) connected to the drive via the connecting rod (2.1) transmits the stroke movement directly to the pumped medium.

The diaphragm consists of three layers. Only the front layer, the so-called working diaphragm, comes into direct contact with the dosing medium. The middle layer functions as a signalling diaphragm. In case of a rupture of the working diaphragm, the medium is fed to the diaphragm rupture signalling in a controlled manner. The diaphragm rupture can be analysed either electrically or visually (local). The third membrane functions as protection diaphragm (with notch) and ensures that no dosing medium will leak out, even not if the working diaphragm has ruptured. A diaphragm rupture is indicated either by a manometer (R(F)-, M(F)409.2) (visual) or, by a pressure switch (electrical).

Pump body (3)

Depending on the applied backpressure, movements of the plastic pump body in elastic materials are possible. This does not affect the pumps's service life or operational reliability.

Pressure valve / Suction valve (4/5)

The pump valves are ball valves that only work properly in a vertical position. The condition of the valves has a deciding effect on the operating capability of the pump. Valves must be exchanged as complete units. When replacing the valves it is important to check the flow direction (4.1/5.1) .

ATTENTION

Pressure valve above, suction valve below!

Diaphragm monitoring

NOTE

For more detailed information about the indicators of the diaphragm monitoring, please see the additional instructions TM06.

C409.2 MK / C410.2 ML (standard)

sera - pumps of the C409.2 ML / C410.2 ML series are equipped with a diaphragm monitoring by pressure switch. In case of a rupture of the working diaphragm, a pressure is generated on the pressure switch. The present signal must be evaluated and further processed in such a way that the pump is switched off instantly.

...409.2 ML / ...410.2 ML (standard)

sera pumps of the R/RF/M/MF 409.2 ML / 410.2 ML series are equipped with a diaphragm monitoring by manometer. In case of a rupture of the working diaphragm, the medium under pressure flows through a bore in the pump body to the signalling manometer and causes a pointer deflection.

- Switch off the pump immediately
- Replace the diaphragm

CAUTION

If the pump is operated with a backpressure that is only slightly higher than the permissible minimum pressure of $p_2=1$ bar, then the deflection of the pointer on the manometer will also be slight.

During normal operation with intact membrane, the manometer shows 0 bar.

...409.2 ML / ...410.2 ML (Option)

sera pumps of the R/RF/M/MF 409.2 / 410.2 ML series can optionally be equipped with diaphragm monitoring with pressure switch.

Diaphragm monitoring by pressure switch:

In case of a rupture of the working diaphragm, a pressure is generated on the pressure switch. The present signal must be evaluated and further processed in such a way that the pump is switched off instantly.

Diaphragm monitoring by Pressure switch (Ex-Area):

CAUTION

The pressure switch is factory set to a switching pressure of ≤ 1 bar. For this reason and in order to guarantee a correct dosing function, the pump should always be operated with a pressure of ≥ 1 bar!

Stroke length adjustment

The delivery rate of the pump is set by changing the stroke length. The stroke length is infinitely variable between 0% and 100%.

i NOTE

A linear dosing behaviour is achieved with stroke length adjustments between 20% and 100%. Below 20% stroke length, electronic stroke length detection is no longer ensured for pumps of the C409.2/C410.2 series. In this case, the warning „Out off range calibrate“ appears, followed by the error message „No stroke recognition!“.

Manual stroke length adjustment (standard) (9)

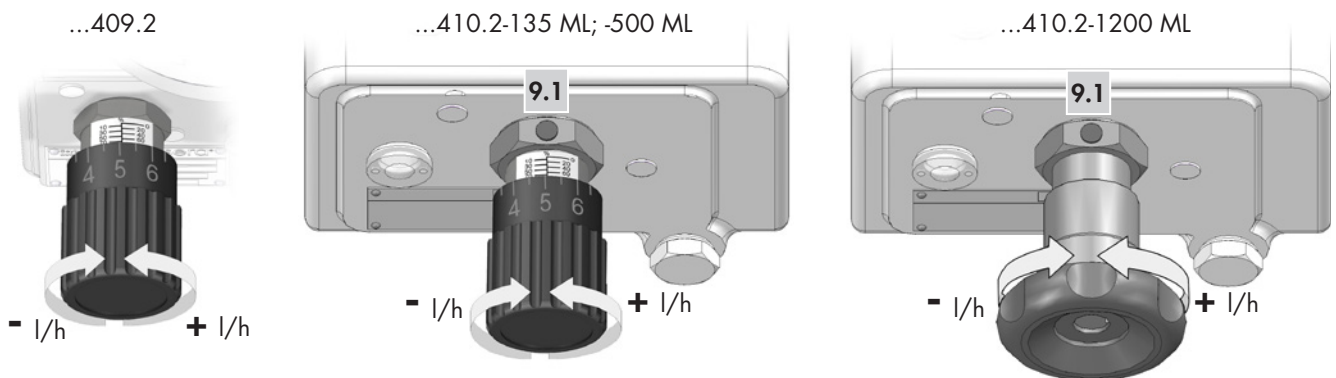
The effective stroke length of the connecting rod is changed by turning the scale knob.

The stroke length should be adjusted during operation of the pump.

The set stroke length can be read off a scale, e.g. 75%.

With the 20-steps adjustment on the scale knob, the stroke length can be set individually with a tolerance of 0.5%.

A protecting cap can be provided for the protection of the stroke length adjustment against unintentional adjustment.



! ACHTUNG

The locking (9.1) is to be released (using a spanner SW3) before the stroke length is changed. Then the locking must be tightened again. This ensures that the set stroke length does not change during operation.

Manual stroke length adjustment by a dial scale with indication of percent (option) (10)

The stroke length is adjusted by turning the hand wheel.

The stroke length should be adjusted during operation of the pump.

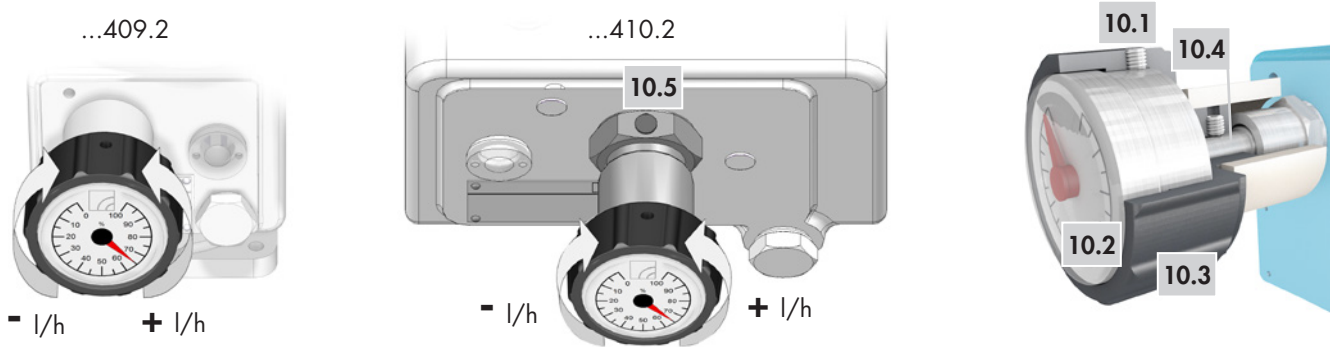
The set stroke length can be read off the percent scale (the example shows a set stroke length of 65%).

In delivery state, the stroke length adjustment is factory set to 50%.

! ATTENTION

PRODUCT DESCRIPTION

The dial scale with indication of percent may become misadjusted during transport. If the indicator does not match the 50% setting, then the percent scale must be re-adjusted during operation (!) of the pump!



Adjusting the percent scale:

- Switch on the piston diaphragm pump.
- Loosen setscrew (10.1).
- Remove percent scale (10.2) from the hand wheel (10.3).
- Manually turn the percent scale to 0% setting.
- Loosen the locking (10.5) ▶ ...410.2.
- Use the hand wheel to set the stroke length to 0%.
- Turn hand wheel clockwise until there is no further stroke movement (connecting rod does no longer hit the adjusting spindle (10.4)).
- Insert percent scale again.
- Use the setscrew to secure the percent scale to the hand wheel.
- Adjust desired stroke length.
- Tighten the locking (10.5) ▶ ...410.2.

Automatic stroke length adjustment by means of an electrical actuator (11)

The electrical actuator is directly mounted to the stroke mechanism (1) of the pump. A clutch transmits the rotary motion of the actuator drive shaft to the adjusting spindle. The axial displacement is compensated in the clutch.

In case of dosing pumps with electrical actuator, a manual adjustment of the stroke length on the pump is no longer possible. (Exception: actuator with hand wheel)

The actuator is equipped with two integrated limit switches as well as a position potentiometer for position feedback as standard. Both limit switches are factory set so that the drive will switch off at a stroke length of 0% and 100%, even if a control voltage is applied.

This guarantees that adjustments can only be made within the permissible range. The position potentiometer is driven by a safety clutch which prevents damage caused by incorrectly adjusted limit switches.

Activation is performed by appropriate control units (see **sera** - accessories).

The set stroke length can be read off on the pump (percent scale).

Information on the electrical connection is given inside the cover of the actuator.

ATTENTION

The adjustment is only possible when the pump is running!

Automatic stroke length adjustment by means of an electrical actuator with integrated positioner

same as Chapter „Automatic stroke length adjustment by means of an electrical actuator“, additionally:

This positioner which is integrated in the actuator enables an actuator setting from 0... 100% that is proportional to the connected input signal.

As an option, the actuator can also be provided with a collective interference signal. Information on the electrical connection is given inside the cover of the actuator.

Drive motor C409.2 / C410.2

A **sera** motor pump of series C409.2 is driven by a three-phase motor controlled by the electronics.

A protective motor switch is not necessary due to the fact that a thermic overload protection is integrated in the pump for the protection of the motor.

Drive motor ...409.2 / ...410.2

sera motor pumps R(F)/M(F)409.2 /R(F)/M(F)410.2 are driven either by a three-phase motor.
Standard: three-phase motor (with PTC thermistor; suitable for operation with frequency converter).

Motor connection

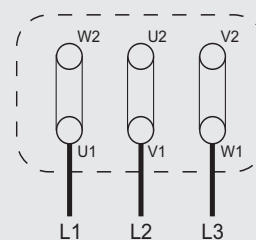
In case of a three-phase motor

The motor connection depends on the voltage indication on the type plate and the applied supply voltage.

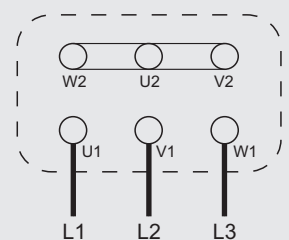
Example:

Indication on the type plate: Δ 230V/ Y400V 50Hz
Three-phase power system on sit: Y400V 50 Hz
Correct motor connection: Star connection (Y)

Δ Delta connection

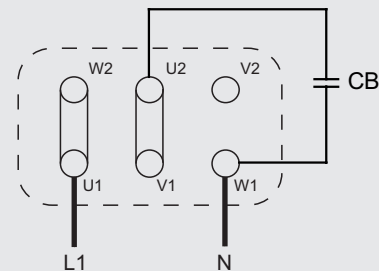


Y Star connection



In case of an AC motor

The AC motor has a main and an auxiliary winding. The running capacitor is switched in series to the auxiliary phase.



Direction of rotation

The direction of rotation of the drive motor is arbitrary.

Terminal box

Before closing the terminal box, please check that:

- All terminal connections are tightly fitted.
- The interior is clean and free of foreign bodies.
- Unused cable entries are closed and screw plugs are tightened.
- The sealing is correctly inserted in the cover of the terminal box; check proper condition of all sealing surfaces so that the demands of the protection category are fulfilled.

Motor protection

Provide for adequate motor protective equipment in order to protect the motor from overload (e.g. motor protection switch with thermal overcurrent release).

Connect the ground wire to the marked earth screw in accordance with VDE 0100.



ATTENTION

Fuses do not protect the motor!

PRODUCT DESCRIPTION

Conrol Pro+ C409.2 Pro+ / Conrol C410.2 (13)

Among other things, the control enable the proportional dosing via analogue signals 4 ... 20 mA or contact signals with the possibility of pulse division or pulse multiplication.

The graphical display shows information about the current status of the pump.

A connection for flow monitoring or flow rate measurement and an „empty“ signal with pre-alarm and dry run alarm are available as standard.

INTERFACE MODULE (14) (accessories C409.2)

The INTERFACE MODULE provides level input, PROFIBUS connectivity (see TM05) and PROFINET connectivity (see TM07).

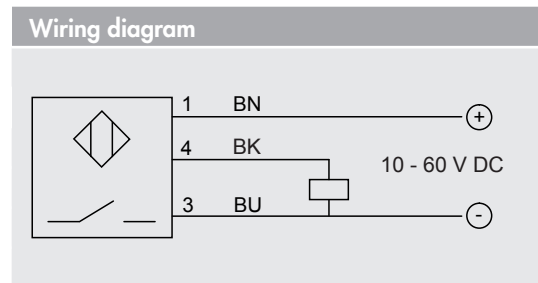
Stroke frequency transmitter (16) (option ...409.2/ ...410.2)

sera pumps R(F)/M(F)409.2 /R(F)/M(F)410.2 are oscillating displacement pumps with an exactly defined stroke volume per each pump stroke.

If these dosing pumps should be used for automatic filling processes or charge dosing, then the single pump strokes must be determined and converted into electrical signals.

For this purpose, a stroke frequency transmitter (inductive contactor) is added to the pump (the option cannot mounted additionally) and reports each single pump stroke to the evaluation unit (e.g. preselection counter, SPC-control unit, etc.).

Technical data	
Rated voltage	10 - 60 V DC
Constant current	< 200 mA
Short circuit-proof:	
Connection mode	plug connector with 2 m cable
LED (green)	indicates supply voltage
LED (yellow)	indicates switching status



ATTENTION

When switching inductive loads (protectors, relays, etc.), surge protectors (varistors) must be fitted owing to the high self-induction voltage!

ATTENTION

When the pump is deployed in explosion-hazardous areas a NAMUR type stroke frequency transmitter (II2G EExia IIC T6, acc. to ATEX95) is to be provided!

PUMP DATA			RF 409.2-... ML							
			11 ML	17 ML	30 ML	45 ML	72 ML	110 ML	150 ML	220 ML
Permissible pressure $p_{2max.}$ at the pump outlet	bar	plastic	10	10	10	10	10	10	4	4
		stainless steel	20	20	16	16	10	10	4	4
Nominal capacity QN at $p_{2max.}$	l/h	50 Hz	0-11	0-17	0-30	0-45	0-72	0-110	0-150	0-220
		60 Hz	0-13	0-20	0-36	0-54	0-86	0-132	0-180	0-264
Quantity per stroke	ml/stroke (100%)		1,8	1,8	5	5	12	12	25	24
Max. suction height	mWC		3	3	3	3	3	3	3	3
Min./max. permissible pressure at the pump inlet	bar	$p_{1min/max}$	-0,3/0	-0,3/0	-0,3/0	-0,3/0	-0,3/0	-0,3/0	-0,3/0	-0,3/0
Recommended nominal diameter DN of the connecting pipes	mm		10	10	10	10	15	15	15	15
Nominal stroke frequency	1/min	50 Hz	100	150	100	150	100	150	100	150
		60 Hz	120	180	120	180	120	180	120	180
Weight approx.	kg	plastic	14	14	15	15	16	16	18	18
		stainless steel	16	16	17	17	18	18	24	24

* Achievable suction height with media similar to water and filled suction line.
Linear dosing range between 20 and 100% stroke length.

PUMP DATA			C 409.2-... ML Pro+							
			11 ML	17 ML	30 ML	45 ML	72 ML	110 ML	150 ML	220 ML
Permissible pressure $p_{2max.}$ at the pump outlet	bar	plastic	10	10	10	10	10	10	4	4
		stainless steel	20	20	16	16	10	10	4	4
Nominal capacity QN at $p_{2max.}$	l/h	50 Hz	0-11	0-17	0-30	0-45	0-72	0-110	0-150	0-220
		60 Hz	0-11	0-17	0-30	0-45	0-72	0-110	0-150	0-220
Quantity per stroke	ml/stroke (100%)		1,8	1,8	5	5	5	12	25	24
Max. suction height	mWC		3	3	3	3	3	3	3	3
Min./max. permissible pressure at the pump inlet	bar	$p_{1min/max}$	-0,3/0	-0,3/0	-0,3/0	-0,3/0	-0,3/0	-0,3/0	-0,3/0	-0,3/0
Recommended nominal diameter DN of the connecting pipes	mm		10	10	10	10	10	15	15	15
Nominal stroke frequency	1/min	50/60 Hz	100	150	100	150	100	150	100	150
Weight approx.	kg	plastic	17,5	17,5	18	18	18,5	18,5	20	20
		stainless steel	19	19	20	20	21,5	21,5	27	27

* Achievable suction height with media similar to water and filled suction line.
Linear dosing range between 20 and 100% stroke length.

TECHNICAL DATA

PUMP DATA			RF 410.2-135 ML	RF 410.2-500 ML	RF 410.2-1200 ML
Permissible pressure $p_{2max.}$ at the pump outlet	bar	plastic	10	10	5 *
		stainless steel	15		
Nominal capacity QN at $p_{2max.}$	l/h	50 Hz	0-135	0-500	0-1200
		60 Hz	0-162	0-600	0-1440
Quantity per stroke	ml/stroke (100%)				
Max. suction height	mWC		3	3	3
Min./max. permissible pressure at the pump inlet	bar	$P_{1min/max}$	-0,3/0	-0,3/0	-0,3/0
Recommended nominal diameter DN of the connecting pipes	mm		15	15	20
Nominal stroke frequency	1/min	50 Hz	97	97	97
		60 Hz	116	116	–
Weight approx.	kg	plastic	36	38	41
		stainless steel	43	46	57

* at 60 Hz is the permissible pressure 3,5 bar

Linearer Dosierbereich zwischen 20 und 100% Hublänge.

PUMP DATA			C 410.2-135 ML	C 410.2-500 ML	C 410.2-1200 ML
Permissible pressure $p_{2max.}$ at the pump outlet	bar	plastic	10	10	5
		stainless steel	15		
Nominal capacity QN at $p_{2max.}$	l/h	50/60 Hz	0-135	0-500	0-1200
Quantity per stroke	ml/stroke (100%)		23	85	206
Max. suction height	mWC		3	3	3
Min./max. permissible pressure at the pump inlet	bar	$P_{1min/max}$	-0,3/0	-0,3/0	-0,3/0
Recommended nominal diameter DN of the connecting pipes	mm		15	15	20
Nominal stroke frequency	1/min	50/60 Hz	97	97	97
Weight approx.	kg	plastic	40	43	45
		stainless steel	42	45	47

Linearer Dosierbereich zwischen 20 und 100% Hublänge.

ELECTRICAL DATA (MF-, RF-design)		RF 409.2-... ML
Standard motor		
Power consumption	kW	0,37
Voltage	V DC	230/400V 50Hz, 460V 60Hz
Frequency	Hz	50/60
Insulation class	ISO	F
Enclosure	IP	55

ELECTRICAL DATA		C 409.2-... ML Pro+	
		230 V, 50/60 Hz	115 V, 50/60 Hz
Power consumption	kW	0,37	
Voltage	V	210 - 250	100 - 125
Frequency	Hz	50/60	
Inlet voltage, control input	V DC	5...30	
Minimum contact signal time	ms	55	
Analogue input resistance	Ω	39	
Digital output internal/external supply		20V DC, 30mA /... 30V DC, 30mA	
Recommended fuse	(circuit breaker)	C6A	C10A
Insulation class	ISO	F	
Enclosure	IP	55	

TECHNICAL DATA

ELECTRICAL DATA		RF 410.2-135 ML	RF 410.2-500 ML	RF 410.2-1200 ML
Power consumption	kW	0,75	1,1	1,5
Nominal voltage	V	230/400V 50Hz, 460V 60Hz		
Frequency	Hz	50/60		
Insulation class	ISO	F		
Enclosure	IP	55		

ELECTRICAL DATA		C 410.2-135 ML C 410.2-500 ML	C 410.2-1200 ML
Power consumption	kW	0,75	1,5
Voltage	V	3 ~ 380 - 420	
Frequency	Hz	50/60	
Inlet voltage, control input	V DC	5...30	
Minimum contact signal time	ms	55	
Analogue input resistance	Ω	100	
Digital output internal/external supply		max. 15V DC, 50mA /max. 30V DC, 350mA	
Recommended fuse	(circuit breaker)	C10A	
Insulation class	ISO	F	
Enclosure	IP	55	

i NOTE

The motor data can be read off the type plate on the drive motor of the respective pump!

NOISE MEASUREMENT

Max. sound pressure at max. burden 50 - 65 dB(A)

VISCOSITY, PUMPED MEDIUM

Max. viscosity with non-spring-loaded valves 100 mPas (=cP)

TEMPERATURE DATA

Max. liquid temperature 60 °C

Min. liquid temperature 10 °C

Max. operating temperature 40 °C

Min. operating temperature 0 °C

Max. storage temperature 40 °C

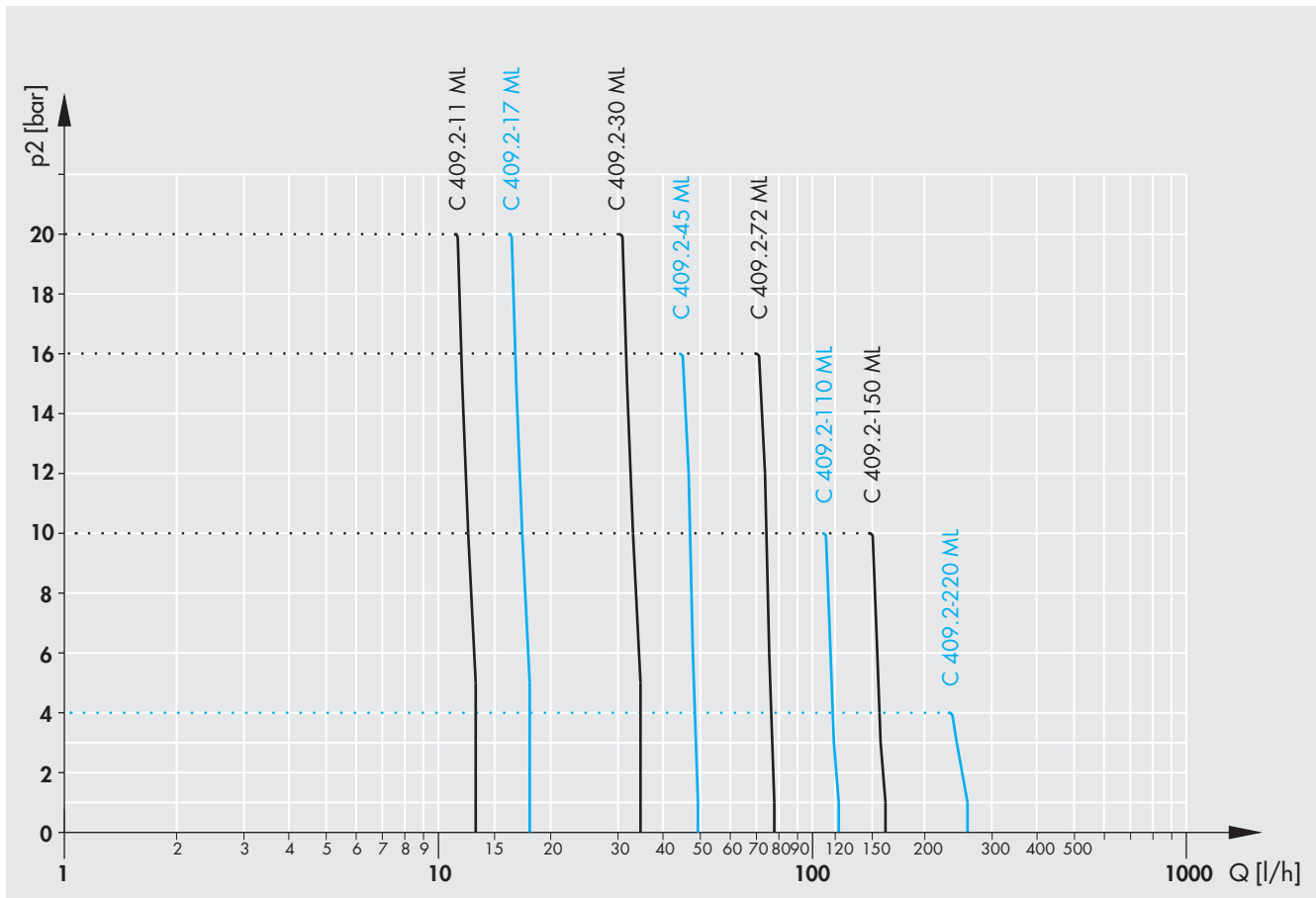
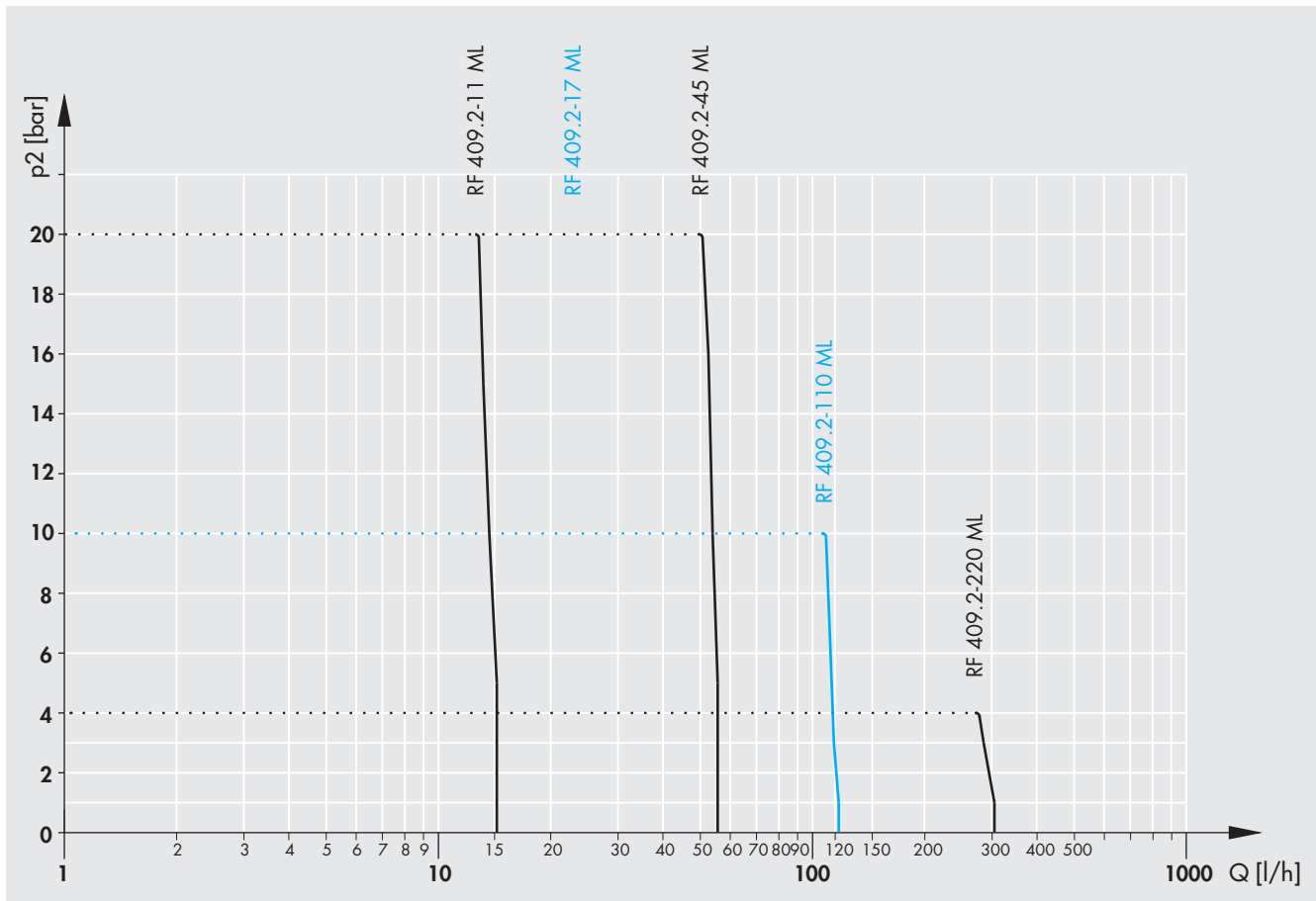
Min. storage temperature 0 °C

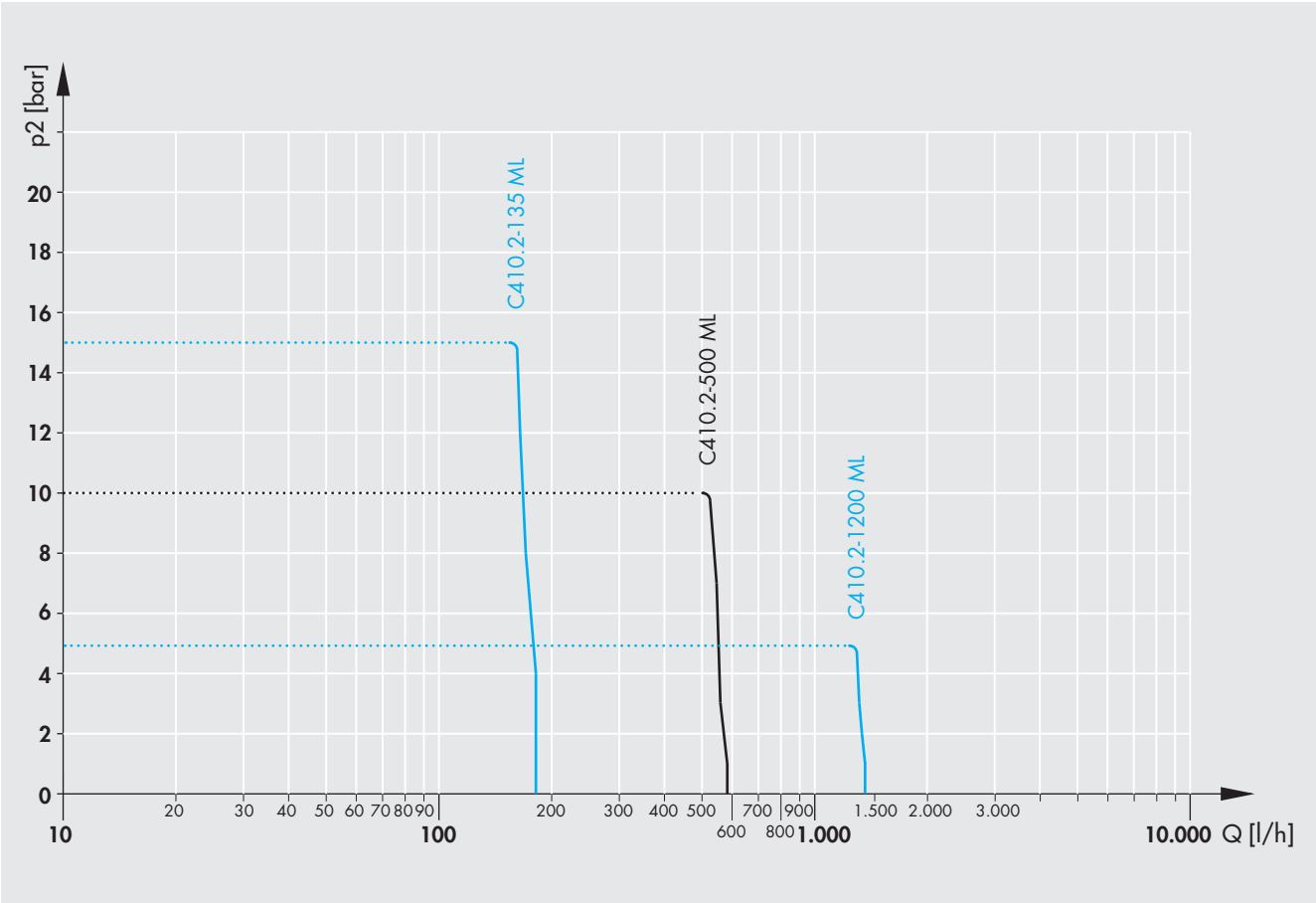
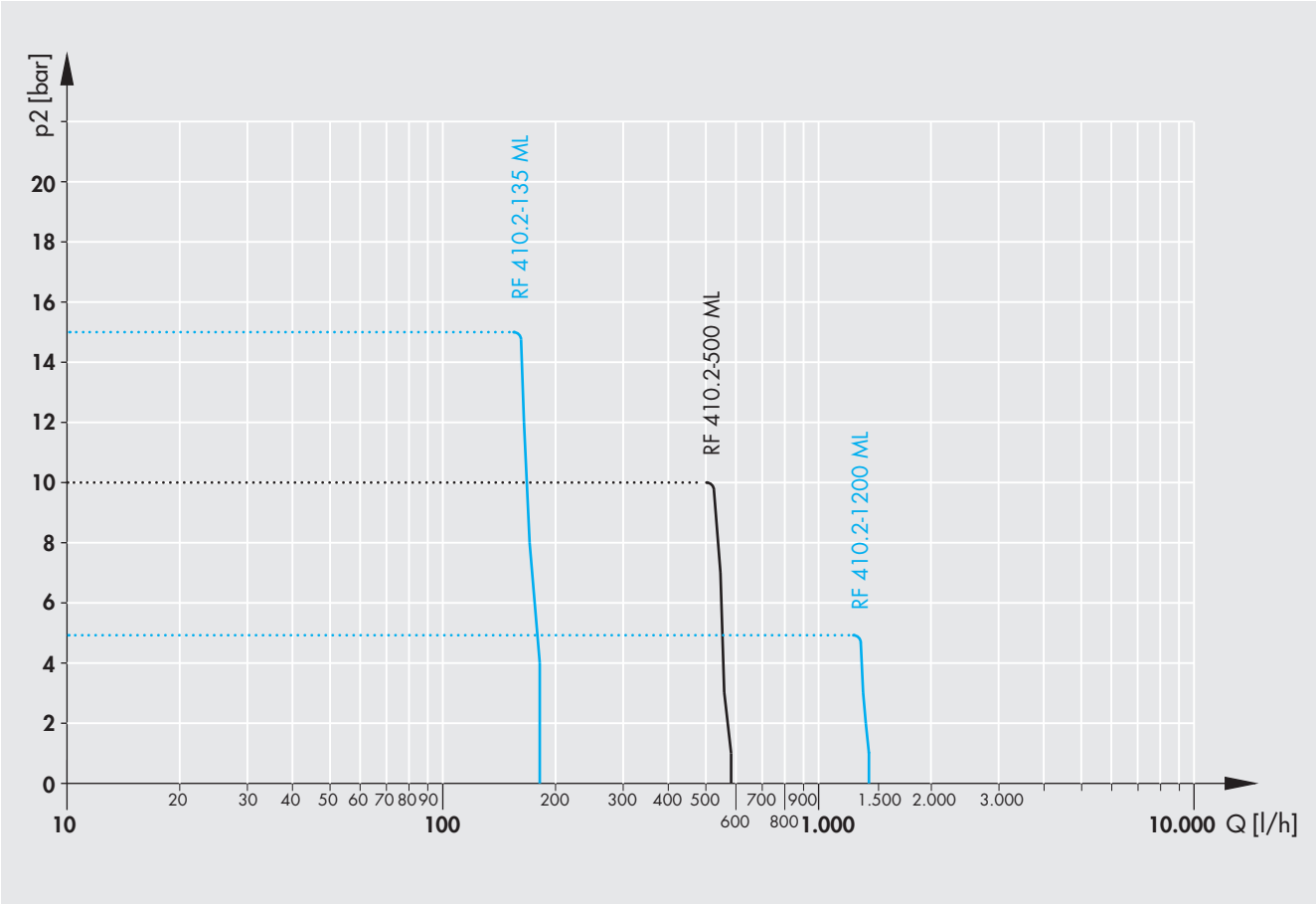
AMBIENT CONDITIONS

Max. installation altitude above sea level 1000 m

Max. relative air humidity < 90%

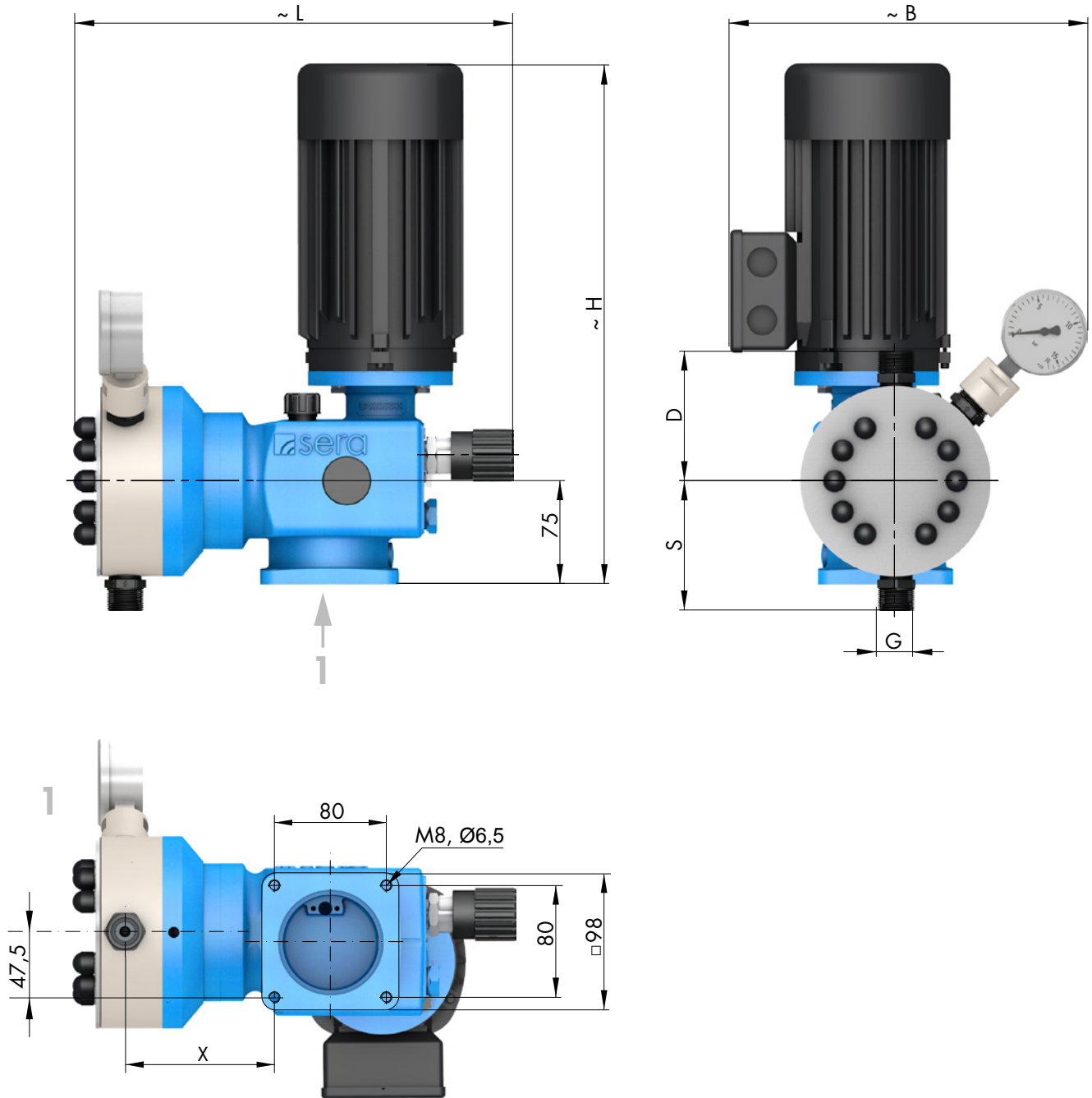
Characteristics





TECHNICAL DATA

Dimensions RF409.2 standard



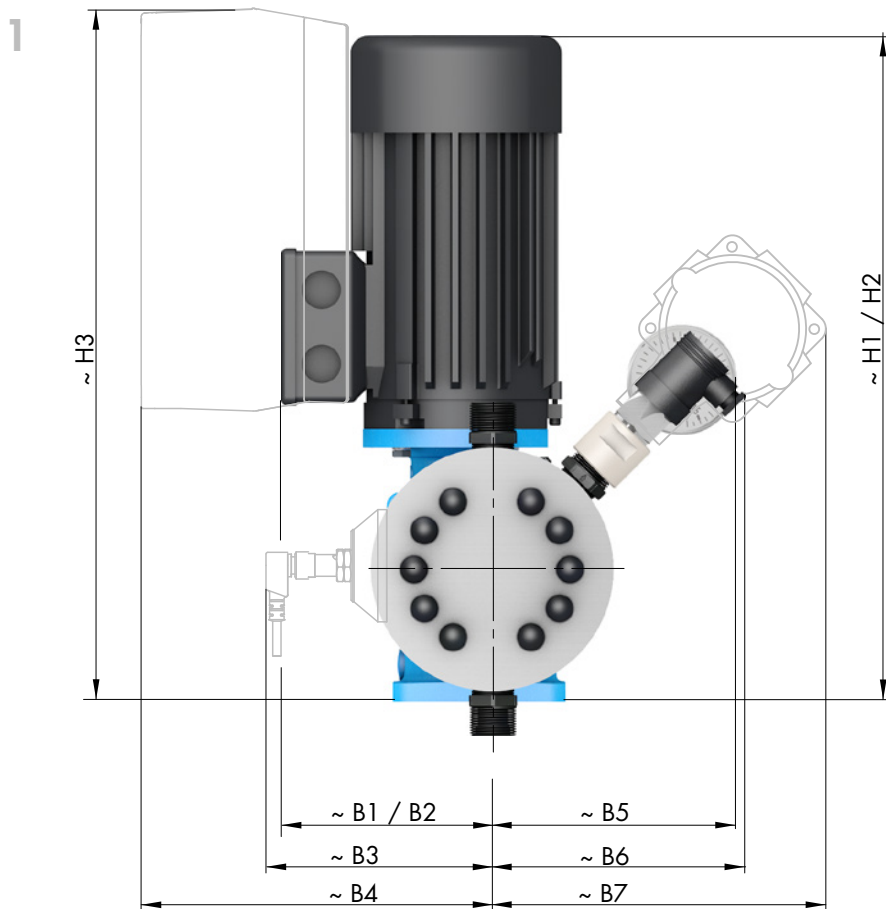
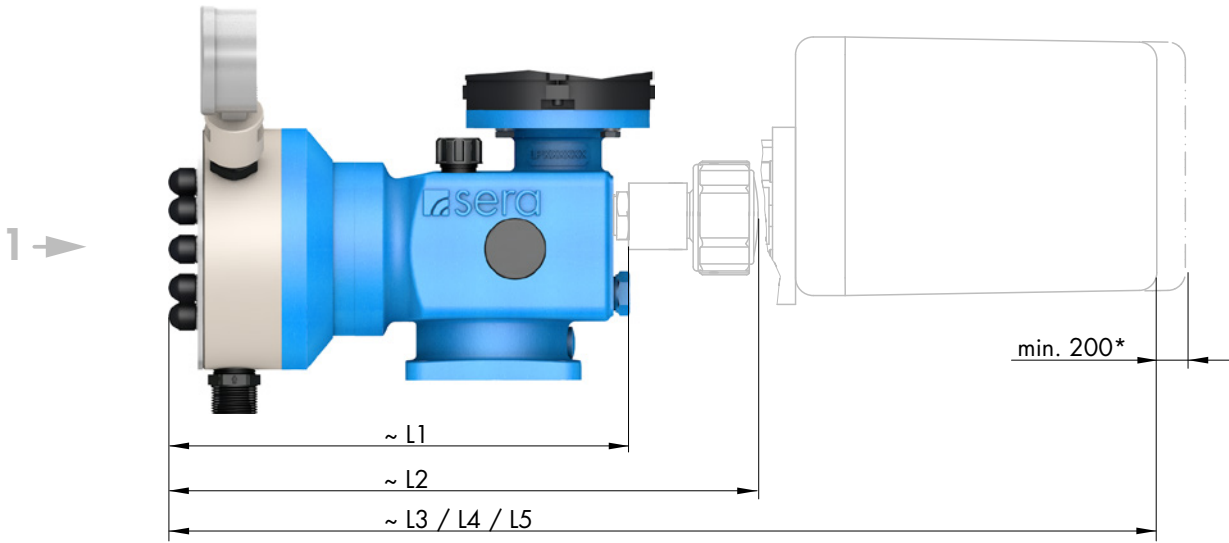
		RF 409.2-...							
SUCTION VALVES		...11 ML	...17 ML	...30 ML	...45 ML	...72 ML	...110 ML	...150ML	...220 ML
DN	Nominal width	5	5	8	8	8	8	20 ⁽¹⁾	20 ⁽¹⁾
G	Connection thread	G ³ / ₄	G ³ / ₄	G ³ / ₄	G ³ / ₄	G ³ / ₄	G ³ / ₄	G1 ¹ / ₄ ⁽¹⁾	G1 ¹ / ₄ ⁽¹⁾
S	PP-FRP / PVDF-FRP	83	83	90	90	94	94	127	127
S	PVC-U	88	88	93	93	97	97	124	124
S	1.4571	83	83	91	91	95	95	127	127
PRESSURE VALVES									
DN	Nominal width	5	5	8	8	8	8	20 ⁽¹⁾	20 ⁽¹⁾
G	Connection thread	G ³ / ₄	G ³ / ₄	G ³ / ₄	G ³ / ₄	G ³ / ₄	G ³ / ₄	G1 ¹ / ₄ ⁽¹⁾	G1 ¹ / ₄ ⁽¹⁾
D	PP-FRP / PVDF-FRP	83	83	90	90	94	94	127	127
D	PVC-U	88	88	100	100	104	104	143	143
D	1.4571	83	83	91	91	95	95	127	127
MAX. TOTAL HEIGHT									
H		365	365	365	365	365	365	365	365
MAX. TOTAL WIDTH									
B		270	270	275	275	275	275	290	290
MAX. TOTAL LENGTH									
L		323	323	323	323	327	327	344	344
CONNECTION DIMENSIONS									
X	PP-/PVDF-FRP, PVC-U	106	106	103	103	110	110	115	115
X	1.4571	98	98	97	97	104	104	115	115

(Measurements in mm)

⁽¹⁾DN15 / G1 at valves of PVC-U

TECHNICAL DATA

Dimensions ...409.2 options



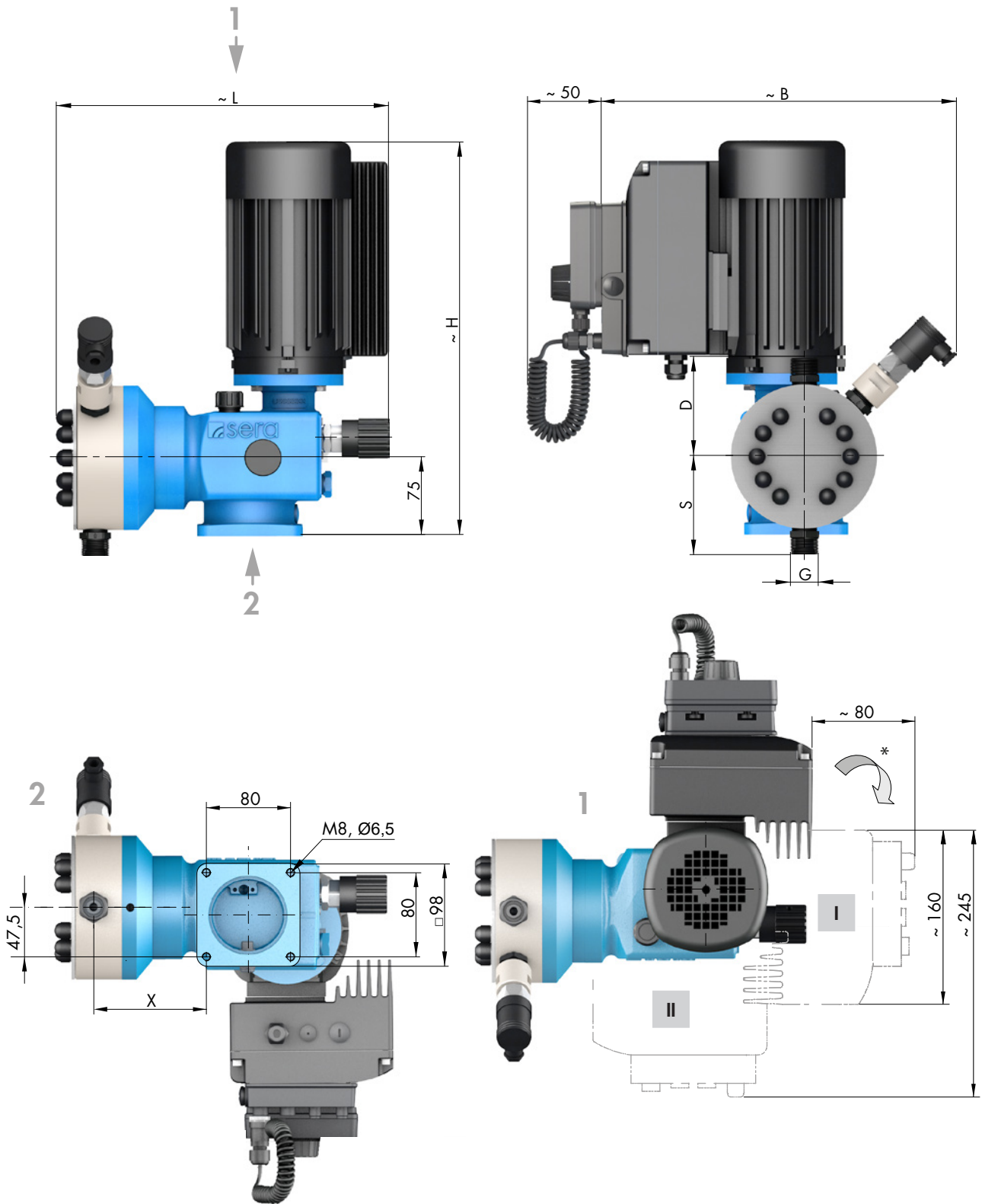
* for removing the actuator cover

OPTIONS		... 409.2-...							
MAX. TOTAL HEIGHT		...11 ML	...17 ML	...30 ML	...45 ML	...72 ML	...110 ML	...150ML	...220 ML
H1	with AC motor	375	375	375	375	375	375	375	375
H2	with motor ATEX	420	420	420	420	420	420	420	420
H3	with frequency converter	425	425	425	425	425	425	425	425
MAX. TOTAL WIDTH									
B1	with AC motor	125	125	125	125	125	125	125	125
B2	with motor ATEX	170	170	170	170	170	170	170	170
B3	with stroke freq. transmitter	130	130	130	130	130	130	130	130
B4	with frequency converter	210	210	210	210	210	210	210	210
B5	with by manometer	135	135	140	140	145	145	155	155
B6	with by pressure switch	140	140	145	145	150	150	165	165
B7	with by pres. switch ATEX	225	225	230	230	230	230	245	245
MAX. TOTAL LENGTH									
L1	mit blind plug (MF...)	265	265	265	265	265	265	285	285
L2	HLV with position indicator	365	365	365	365	370	370	385	385
L3	HLV with actuator	495	495	495	495	500	500	515	515
L4	HLV with actuator with integrated positioner	575	575	575	575	580	580	450	450
L5	HLV with actuator ATEX	725	725	725	725	730	730	745	745

HLV ► Manual stroke length adjustment

TECHNICAL DATA

Dimensions C409.2 standard



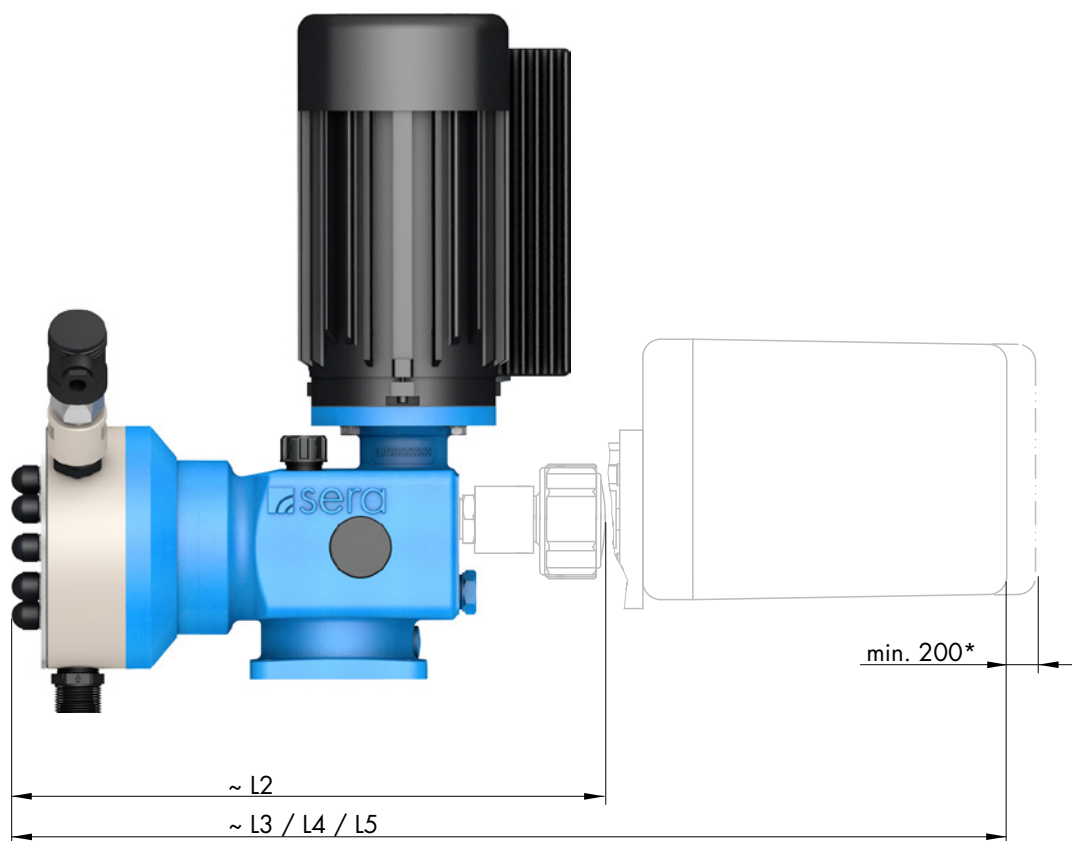
* Drive with electronics can be rotated throughout 90° each and can be put to the positions I and II. (release the motor fastening screws, put the motor carefully to the desired position and fasten with screws again).

		C 409.2-...							
SUCTION VALVES		...11 ML	...17 ML	...30 ML	...45 ML	...72 ML	...110 ML	...150ML	...220 ML
DN	Nominal width	5	5	8	8	8	8	20 ⁽¹⁾	20 ⁽¹⁾
G	Connection thread	G ³ / ₄	G ³ / ₄	G ³ / ₄	G ³ / ₄	G ³ / ₄	G ³ / ₄	G1 ¹ / ₄ ⁽¹⁾	G1 ¹ / ₄ ⁽¹⁾
S	PP-FRP / PVDF-FRP	83	83	90	90	94	94	127	127
S	PVC-U	88	88	93	93	97	97	124	124
S	1.4571	83	83	91	91	95	95	127	127
PRESSURE VALVES									
DN	Nominal width	5	5	8	8	8	8	20 ⁽¹⁾	20 ⁽¹⁾
G	Connection thread	G ³ / ₄	G ³ / ₄	G ³ / ₄	G ³ / ₄	G ³ / ₄	G ³ / ₄	G1 ¹ / ₄ ⁽¹⁾	G1 ¹ / ₄ ⁽¹⁾
D	PP-FRP / PVDF-FRP	83	83	90	90	94	94	127	127
D	PVC-U	88	88	100	100	104	104	143	143
D	1.4571	83	83	91	91	95	95	127	127
MAX. TOTAL HEIGHT									
H		365	365	365	365	365	365	365	365
MAX. TOTAL WIDTH									
B		340	340	345	345	345	345	360	360
MAX. TOTAL LENGTH									
L		323	323	323	323	327	327	344	344
CONNECTION DIMENSIONS									
X	PP-/PVDF-GFRP, PVC-U	106	106	103	103	110	110	115	115
X	1.4571	98	98	97	97	104	104	115	115

(Measurements in mm)

⁽¹⁾DN15 / G1 at valves of PVC-U

Dimensions C409.2 options

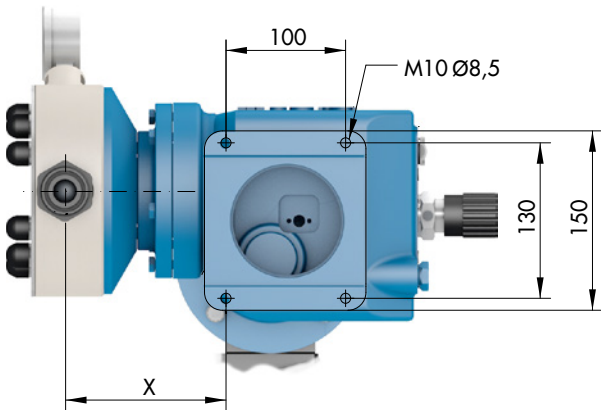
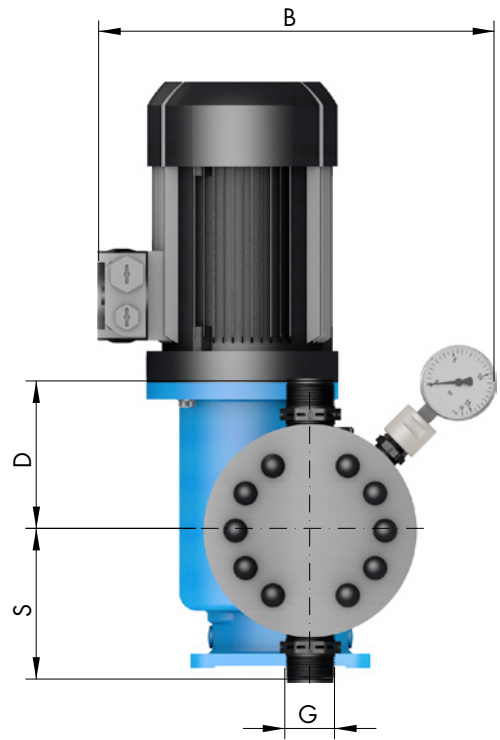
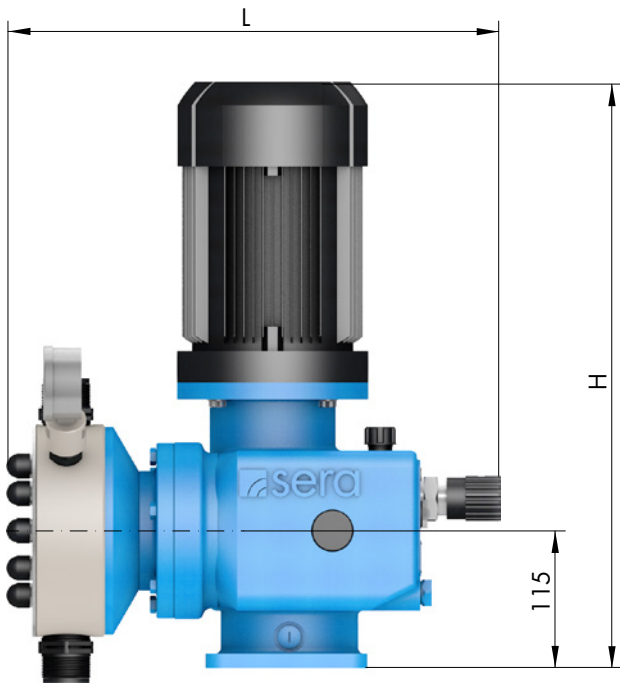


* for removing the actuator cover

OPTIONS		C 409.2-...							
MAX. TOTAL LENGTH		...11 ML	...17 ML	...30 ML	...45 ML	...72 ML	...110 ML	...150ML	...220 ML
L2	HLV with position indicator	365	365	365	365	370	370	385	385
L3	HLV with actuator	495	495	495	495	500	500	515	515
L4	HLV with actuator with integrated positioner	575	575	575	575	580	580	450	450

HLV ► Manual stroke length adjustment

Dimensions RF410.2 standard

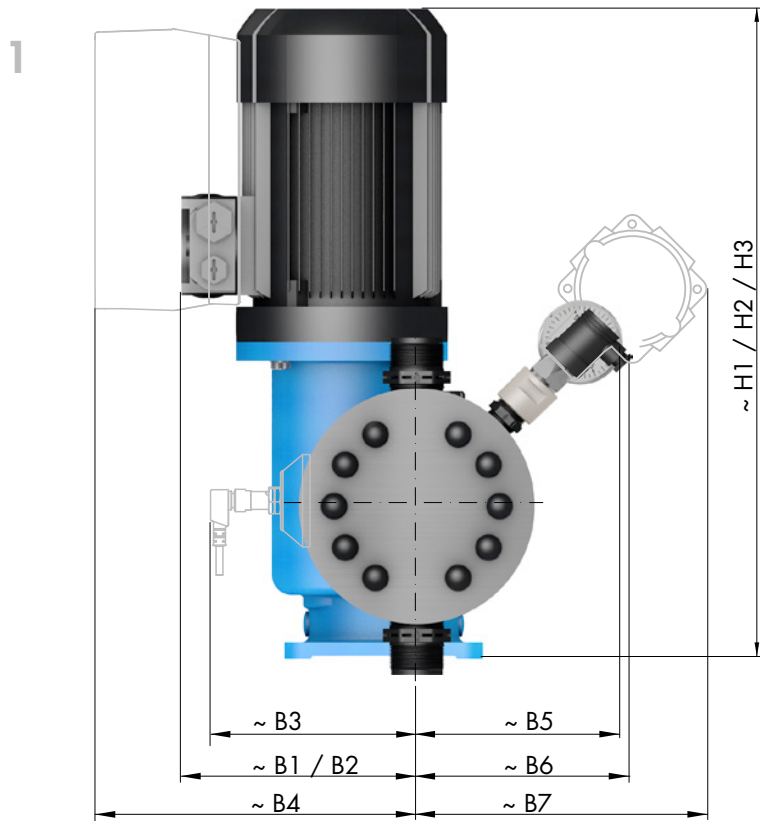
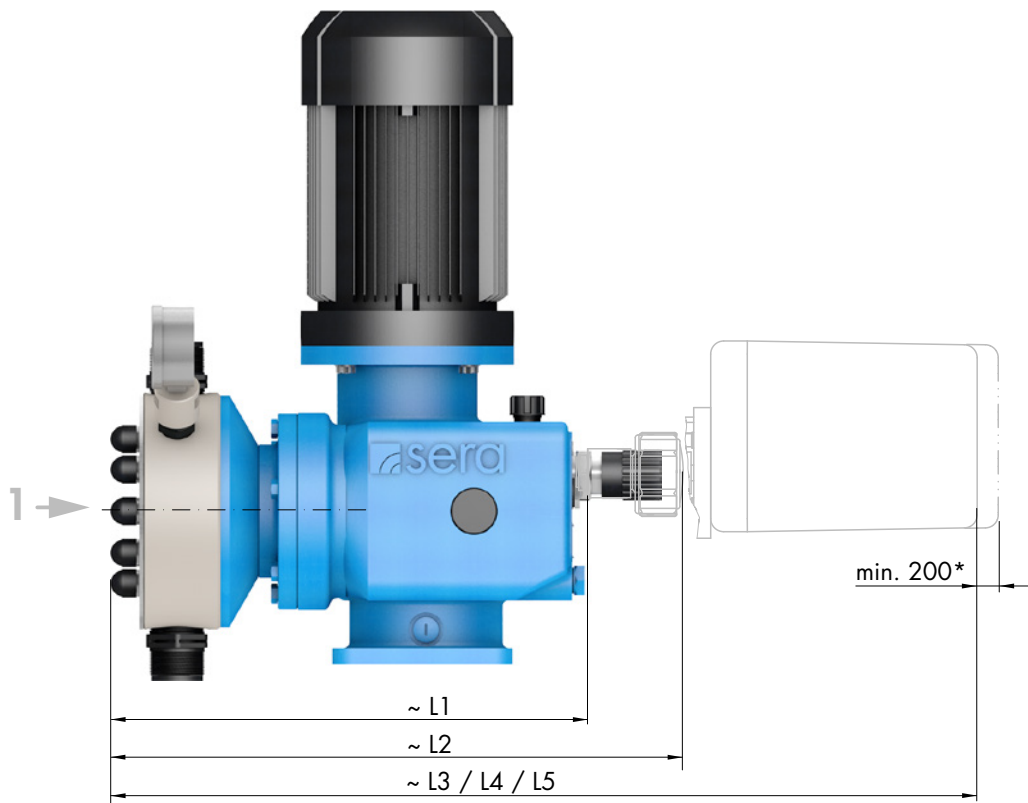


SUCTION VALVES		RF 410.2-135 ML	RF 410.2-500 ML	RF 410.2-1200 ML
DN	Nominal width	20 ⁽¹⁾	20 ⁽¹⁾	20
G	Connection thread	G1¼ ⁽¹⁾	G1¼ ⁽¹⁾	G1¼
S	PP-FRP / PVDF-FRP	127	138	162
S	PVC-U	124	132	172
S	1.4571	127	138	162
PRESSURE VALVES				
DN	Nominal width	20 ⁽¹⁾	20 ⁽¹⁾	20
G	Connection thread	G1¼ ⁽¹⁾	G1¼ ⁽¹⁾	G1¼
D	PP-FRP / PVDF-FRP	127	138	162
D	PVC-U	143	151	192
D	1.4571	127	138	162
MAX. TOTAL HEIGHT				
H		530	540	580
MAX. TOTAL WIDTH				
B		335	350	365
MAX. TOTAL LENGTH				
L		425	415	460
CONNECTION DIMENSIONS				
X	PP-/PVDF-GFK, PVC-U	135	116	121
X	1.4571	135	116	124

(Measurements in mm)

⁽¹⁾DN15 / G1 at valves of PVC-U

Dimensions ...410.2 options

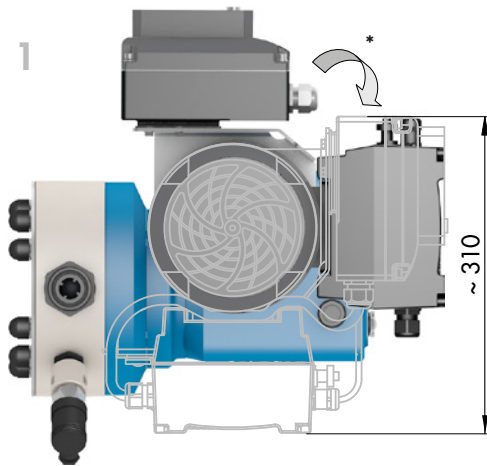
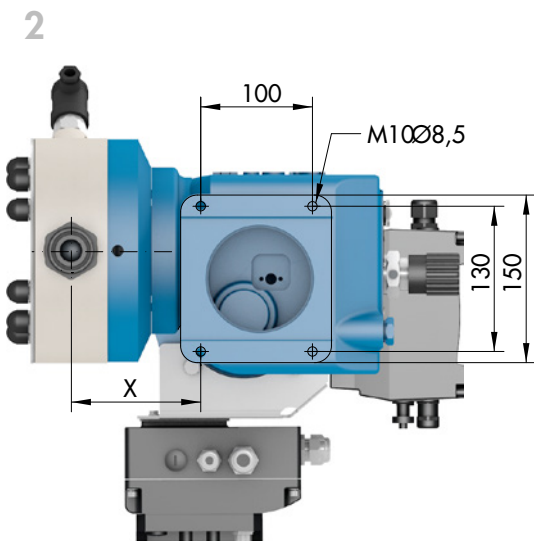
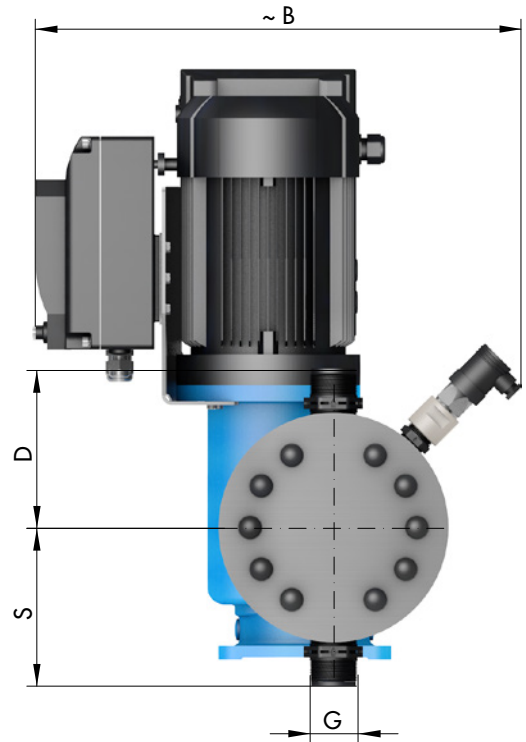
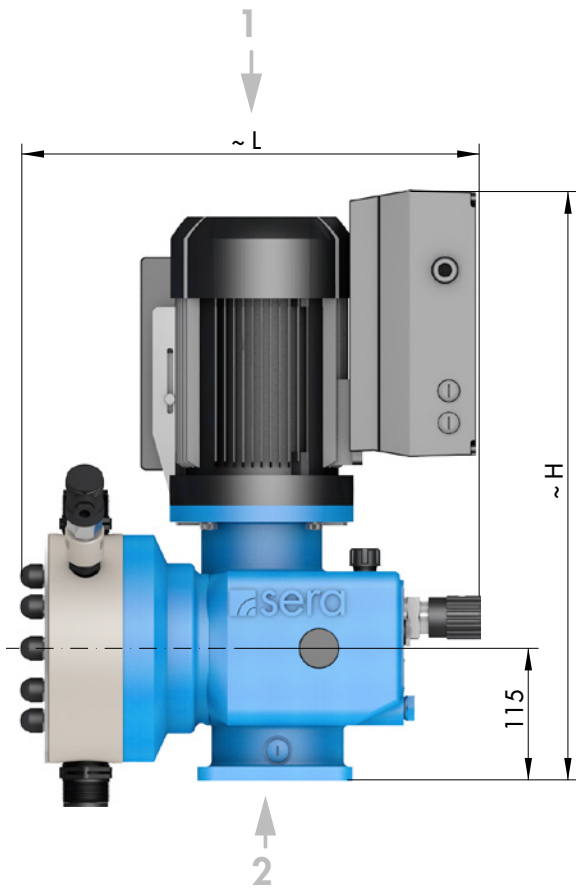


* for removing the actual cover

OPTIONS		... 410.2-135 ML	... 410.2-500 ML	... 410.2-1200 ML
MAX. TOTAL HEIGHT				
H1	with AC motor	500	500	585
H2	with motor ATEX	570	625	625
H3	with frequency converter	530	540	580
MAX. TOTAL WIDTH				
B1	with AC motor	180	180	185
B2	with motor ATEX	230	240	240
B3	with stroke freq. transmitter	185	185	185
B4	with frequency converter	255	260	260
B5	with by manometer	155	165	180
B6	with by pressure switch	165	175	190
B7	with by pres. switch ATEX	245	255	255
MAX. TOTAL LENGTH				
L1	mit blind plug (MF...)	365	350	375
L2	HLV with position indicator	460	445	475
L3	HLV with actuator	610	595	620
L4	HLV with actuator with integrated positioner	690	675	700
L5	HLV with actuator ATEX	780	765	790

HLV ► Manual stroke length adjustment

Dimensions C410.2 standard

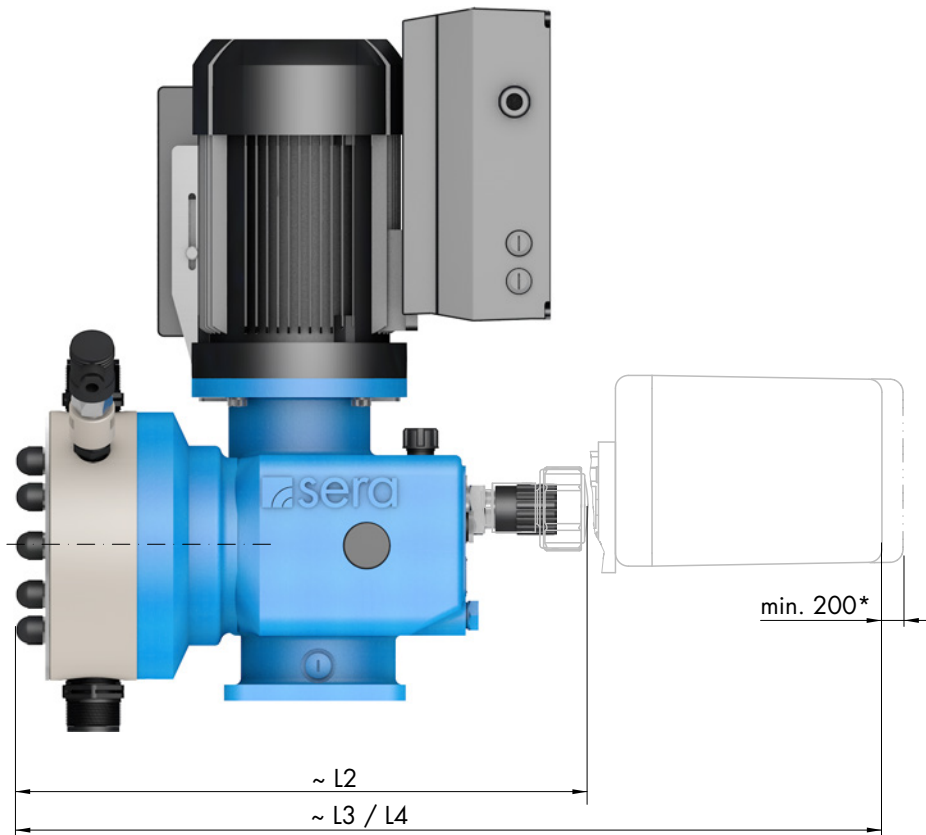


SUCTION VALVES		C 410.2-135 ML	C 410.2-500 ML	C 410.2-1200 ML
DN	Nominal width	20 ⁽¹⁾	20 ⁽¹⁾	20
G	Connection thread	G1¼ ⁽¹⁾	G1¼ ⁽¹⁾	G1¼
S	PP-FRP / PVDF-FRP	127	138	162
S	PVC-U	124	132	172
S	1.4571	127	138	162
PRESSURE VALVES				
DN	Nominal width	20 ⁽¹⁾	20 ⁽¹⁾	20
G	Connection thread	G1¼ ⁽¹⁾	G1¼ ⁽¹⁾	G1¼
D	PP-FRP / PVDF-FRP	127	138	162
D	PVC-U	143	151	192
D	1.4571	127	138	162
MAX. TOTAL HEIGHT				
H		530	530	580
MAX. TOTAL WIDTH				
B		430	440	455
MAX. TOTAL LENGTH				
L		425	415	460
CONNECTION DIMENSIONS				
X	PP-/PVDF-GFK, PVC-U	135	116	121
X	1.4571	135	116	124

(Measurements in mm)

⁽¹⁾DN15 / G1 at valves of PVC-U

Dimensions C410.2 options



* for removing the actuator cover

OPTIONS		C 410.2-135 ML	C 410.2-500 ML	C 410.2-1200 ML
MAX. TOTAL LENGTH				
L2	HLV with position indicator	460	445	475
L3	HLV with actuator	610	595	620
L4	HLV with actuator with integrated positioner	690	675	700

HLV ► Manual stroke length adjustment


WARNING

Observe and follow the safety instructions by all means.
See the additional instructions „SAFETY INSTRUCTIONS“.
Man, machine and environment are endangered if the safety instructions are not observed.



NOTE

Pump design data for dosing and its temperature can be found in the order confirmation.


NOTE

Operating conditions:
Ambient temperature, relative air humidity and max. installation altitude ► see chapter „Technical data“.

- The standard model of the pump is only approved for installation in dry areas in a non-aggressive atmosphere.
- Protect the pump from heat sources, direct sunlight and UV light.
- See “Dimensions” chapter for dimensions of the pump connections and fixing holes.
- Fixing the pump with at least four bolts above the pump base is required for safe operation.
- Install the pump so that there is no vibration and no tension and that it is aligned precisely.
- Install the pump at the optimum possible operating height. Mount the pump so that the valves are vertical.
- Ensure that there is sufficient space around the pump body and the suction and pressure valve so that these parts can be easily dismantled if required.
- Design the nominal diameters of the downstream piping and the valves installed in the system to be the same size or larger than the nominal inlet and outlet diameters of the pump.
- To check the pressure ratios in the piping system, it is recommended to provide connections for pressure measurement fittings (e.g. manometers) near the suction and pressure ports.
- Drain valves must be provided.
- Before connecting the pipes, remove the plastic caps on the suction and pressure ports of the pump.
- Check the fastening bolts for the pump body for tightness and tighten if necessary, see chapter “Overview of the tightening torques”.
- Connect pipes to the pump so that there are no forces acting on the pump, such as e.g. misalignment, weight or strain of the pipe.
- Keep the suction pipes as short as possible.
- Use pressure and medium resistant hoses / pipes.
- All pipes and containers connected to the pump must comply with the regulations and must be cleaned, tension-free and intact.
- Display devices must be easily accessible and readable.

In order to avoid cavitation, overload or excessive delivery, the following points should be noted:

- Avoid high suction heights.
- Keep pipes as short as possible.
- Select sufficiently large nominal diameters.
- Avoid unnecessary choke points.
- Install a pulsation damper.
- Install overpressure protection.
- Install a pressure-sustaining valve, if necessary
- Provide feed line for outgassing media.


WARNING

The pump with a control is only designed for operation outside Ex-zones!

SUCTION SIDE (1)

The following fittings can be used on the suction side:

1.1 Line strainer



1.2 Suction aid
Siphon vessel



1.3 Suction lance



1.4 Multifunction device



1.5 Foot valve



1.6 Shut-off valve



PRESSURE SIDE (2)

The following fittings can be used on the pressure side:

2.1 Vent valve



2.2 Injection fitting



2.3 Dosing valve



2.4 Pulsation damper



2.5 Diaphragm pressure keeping valve



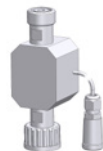
2.6 Diaphragm relief valve



2.7 Multifunction valve



2.8 Flow meter ⁽¹⁾



2.9 Flow monitor ⁽¹⁾



2.10 Shut-off valve



⁽¹⁾ only for pumps with a control

SUCTION SIDE (1)

Line strainer (1.1)

Connect suction line slightly above the bottom of the tank and install a line strainer (0.1 – 0.5 mm mesh size – depending on valve nominal diameter of the pump).



ATTENTION

If impurities are not removed, this results in malfunctions of the pump and the system.

Suction aid / siphon vessel (1.2)

For high tanks without connection on the bottom of the tank ► install suction aid / siphon vessel. Thereby, pay attention to accelerating pressures which may be generated in a long suction pipe.

Suction lance (1.3)

Install a suction lance for removal of chemicals from tanks and barrels.
The integrated foot valve prevents the backflow of the suctioned medium.
The suction lances are equipped with a level switch for „empty“ signal.

Multifunction device (1.4)

The multifunction device is installed in the suction side piping of the pump and is used for determination of the delivery rate of pumps under real operating conditions.
The device can be filled either using a pending tank volume (communicating container) or using a hand vacuum pump.

Foot valve (1.5)

To prevent running dry of the suction line ► install foot valve (check valve) at the end of the suction line.

PRESSURE SIDE (2)**Vent valve (2.1)**

If air can be drawn in due to falling liquid level in the suction tank and at the same time delivered to a pressurised line or against a pressure-sustaining valve ► install vent valve in the pressure line.

i NOTE

The delivery flow can be interrupted if there is air in the suction line!

Injection fitting (2.2)

Install an injection fitting that routes into a main line to prevent the backflow of the pumped medium in the dosing line.

⚠ WARNING

Unwanted mixing in the dosing line occurs if any possible backflow from the main line is not prevented.

Dosing valve (2.3)

Installation of the dosing valve prevents the liquid from the system to be treated being able to penetrate into the dosing line.

Pulsation damper (2.4)

Damping of the pulsation by installation of pulsation dampers if:

- a low-pulsation delivery flow is desired for process reasons,
- acceleration forces caused by the piping geometry must be removed.

Install pulsation damper as close as possible to the pump head.

If both pulsation damper and pressure-sustaining valve should be integrated, install the pressure-sustaining valve between pump and pulsation damper.

⚠ WARNING

Undamped acceleration forces can result in the following faults / damage:

- flow rate fluctuations
- dosing errors
- pressure surges
- valve shocks
- increased wear on the suction and pressure sides of the pump
- mechanical destruction of the pump
- leaks and valve shocks if the permissible maximum pressure on the pump pressure side is exceeded
- damage to the piping and its installed fittings

Diaphragm pressure-keeping valve (2.5)

If dosing into a main line with negative pressure ► install pressure-keeping valve in the dosing line.

ATTENTION

It must be ensured during the installation that excess delivery (due to positive pressure difference ($\geq > 1$ bar) between pressure and suction sides) is avoided.

Diaphragm relief valve (2.6)

If the permissible pressure in the system can be exceeded by closing any shut-off valve or by clogging of the line ► install diaphragm relief valve.

When using an external overflow valve, the following is applicable for the return line:

- Route the return line sloping downward into the storage tank which is under atmospheric pressure or into an open drainage channel.
- Or connect directly to the pump suction line, but only if there is no check valve in the suction line (e.g. foot valve of a suction lance).

ATTENTION

Shut-off valves must not be closed when the pump is running!

WARNING

An overpressure protection device (e.g. relief valve) must generally be provided if the permissible operating pressure can be exceeded.

ATTENTION

If the permissible operating pressure is exceeded and the pump is not equipped with overpressure protection, the pump will be damaged.

WARNING

The pumped medium can spray out if the pump is damaged.

Multifunction valve (2.7)

The multifunction valve provides the following functions:

- pressure-keeping valve function,
- overflow valve function,
- pressure relief function,
- venting.

The multifunction valve is mounted directly on the pump pressure port.

Flow meter (2.8)

For measurement and monitoring of the flow rate ► install flow meter.

The application range is restricted to media that are similar to water.

The flow meter is screwed upright on the pressure port of the pump and connected to the pump electronics via the input for flow monitoring.

Flow monitor (2.9)

To record the flow rate of the pump ► install flow monitor.

The application range is restricted to media that are similar to water.

The flow monitor is screwed upright on the suction port of the pump and connected to the pump electronics via the input for flow monitoring.

Operation in Ex-zone C409.2

WARNING

The pump with a control is only designed for operation outside Ex-zones!

Operation in Ex-zone RF409.2

WARNING

The prerequisite for the use in explosion-hazardous areas is an appropriate design of the pump.

The product supplied by **sera** meets the requirements of directive 2014/34/EU if it is correspondingly marked. This guarantees safe operation in explosion-hazardous areas.

WARNING

It is the operator's task to define the field of application and to check whether the pump is suited for this application. He/she must clearly define the zone, the device category, the explosion group and the temperature class.

WARNING

Avoid build up electrostatic conditions!


WARNING

To avoid contamination of the valves strainers in the suction line have to be installed!

Identification

The pump has a label stating the zone/device category /explosion group/temperature class in compliance with directive 2014/34/EU.

 II2G Ex h IIB T4 resp.

 II2G Ex h IIC T4
(note special specifications in the confirmation of order.)

Installation

The intended operating conditions in explosion-hazardous areas according to directive 2014/34/EU are stated in the confirmation of order or the product description. The indicated limit values should not be fallen below or exceeded. Installation regulations given in the operating instructions must be adhered to.

WARNING

Use only suitable tools for performing assembly and maintenance work on machines or plants in explosion-hazardous areas. Directive 99/92/EC must be observed.

Potential equalization

After mounting the pump the proper connection to the site potential equalization is to be ensured. The max. bleed resistor (1M Ω) has to be checked and documented.

Start-up

After installation, the pump must immediately be used for the suction of fluids, i.e. the pump must immediately be started after the tank has been installed and filled.

Operation

The intended operating conditions in explosion-hazardous areas according to directive 2014/34/EU are stated in the confirmation of order or the product description. The indicated limit values should not be fallen below or exceeded. Details about explosion zone, device category, explosion group and temperature class can be seen from the Declaration of Conformity.

Degassing of the pumped medium:

- Never let the pump run dry.
- Check the liquid level in the tank during operation of the pump.
- Make sure that the pump is switched off when the liquid level in the tank falls below the minimum level required (explosive atmosphere may be carried over)..

Vapour bubbles from the pumped medium are harmless as they have no explosive potential.

WARNING

Formation of an explosive gas mixture must be prevented.

Temperature indications

Permissible ambient temperature: $-10^{\circ}\text{C} \leq T_a \leq +40^{\circ}\text{C}$

Maintenance

The maintenance notes listed in Chapter 10 are generally applicable. **Exception:**

ATTENTION

The oil level in the stroke mechanism of the pump must be checked once a week!

Diaphragm monitoring

Basic information about diaphragm monitoring is to be found in the chapter „Diaphragm monitoring“ in the product description.

ATTENTION

In case of a diaphragm rupture, switch off the pump immediately and change the diaphragm. Danger of generation or carry-over of an explosive atmosphere inside the pump.

- If the pump is equipped with an optical diaphragm monitoring (manometer) this must be checked at regular intervals which must be specified according to the customer's risk assessment (inspections by the operators).
- If the pump is equipped with a diaphragm monitoring with pressure switch (Ex-design) this must be evaluated and displayed in the process control system (control room) (by the customer) in order to enable an immediate detection of a diaphragm rupture.



WARNING

Observe and follow the safety instructions by all means.
See the additional instructions „SAFETY INSTRUCTIONS“.
Man, machine and environment are endangered if the safety instructions are not observed.



Adequate fastening at the pump foot and compliance with the operating parameters specified in the technical data are required for the operation of the pump.

Checks before every start-up:

- Check all connections for tightness.
- Tighten fixing bolts of the pump body with the specified tightening torques (see „Overview of the tightening torques“ chapter).
- Check of the electrical connections.
- Check of the mains voltage on the rating plate with the local conditions.

Driving motor

Preconditions:

- Make sure that voltage and frequency correspond with the indications on the type plate of the motor.
Permissible voltage tolerance (DIN VDE 0530).
- For rated voltage ► + 10 %
- For rated voltage range ► ± 5 %
- The connecting cable must be dimensioned according to the motor characteristics.
- Secure connecting cable with a strain relief.
- The nominal motor power refers to an ambient temperature and an installation site ► see chapter „TECHNICAL DATA“ .
Motor output will be reduced if these values are exceeded (see VDE 0530).
- Adapted for “moderate” groupe of climates according to IEC 721-2-1.

i NOTE

Operating voltage range see chapter „TECHNICAL DATA“.

i NOTE**Pump without control:**

Motor connection see chapter „Drive motor“ in the PRODUCT DESCRIPTION.

i NOTE**Pump with a control:**

Electrical interfaces see the additional operation instructions for the CONTROL.

**ATTENTION****Pump with a control:**

The pump restarts in the selected operating mode with the specified parameters after switching on again or after restoration of the power supply following a power failure.



WARNING

Observe and follow the safety instructions by all means.
See the additional instructions „SAFETY INSTRUCTIONS“.
Man, machine and environment are endangered if the safety instructions are not observed.



Check the following at regular intervals:

- Tight fit of piping.
- Tight fit of pressure and suction valve.
- Proper condition of the electrical connections.
- Tight fit of the screws for fastening the pump body (check this at least every three months).
- For the tightening torques of the mounting screws, please see Chapter „Overview of the tightening torques“.
- Additionally with motor pumps: Check oil level regularly (oil eye).

Drive motor

The electric motor should always be kept clean so that neither dust, dirt, oil nor other contaminants may affect the correct operation.

In addition, we recommend to ensure that:

- The motor does not produce strong vibrations
- Suction and blowing openings for the supply of cooling air are not closed or restricted (may lead to unnecessary high temperatures in the windings)

The ball bearings inserted in the motor are lubricated for life.

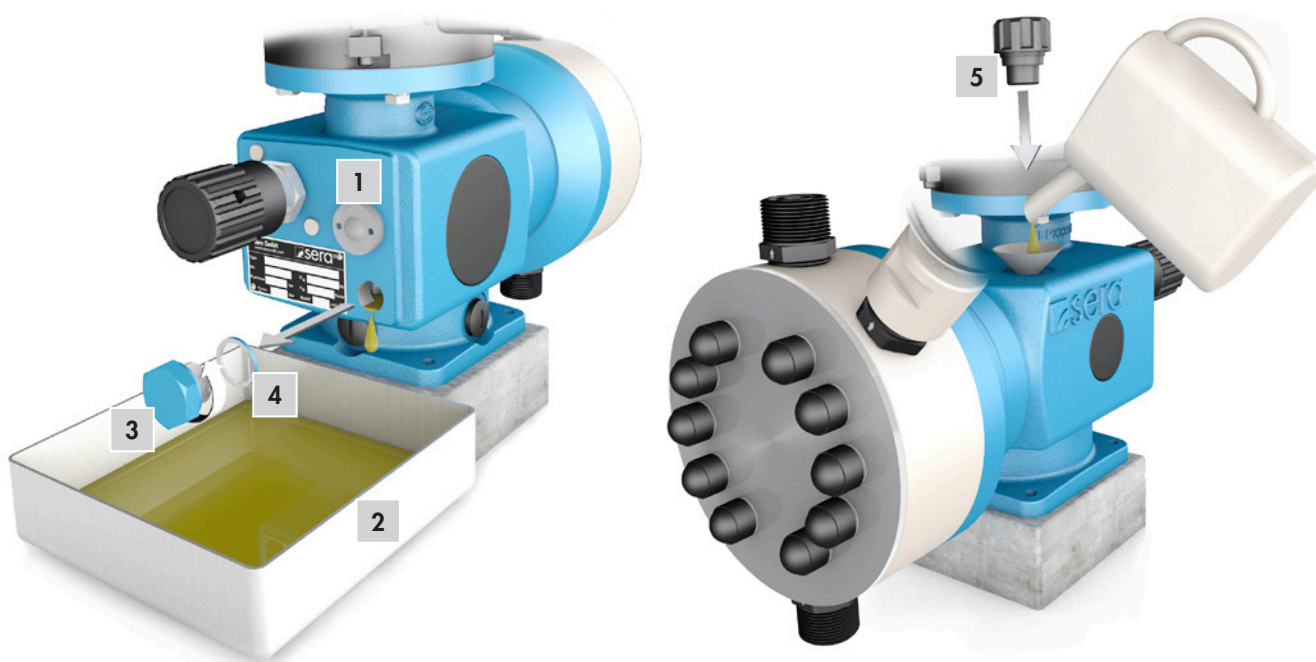
Oil change

Check oil level at regular intervals (oil sight glass (1))

Perform an oil change once a year.

To do so, proceed as follows:

- Unscrew the venting screw (5).
- Prepare an appropriate container (2).
- Open the screw plug (3) and drain off oil.
- Close hole with screw plug (pay attention to the sealing ring (4)!).
- Fill oil in threaded hole of the venting screw.
- Screw in venting screw (5).



Gear oil			
Pump type	Specification	sera use	Quantity (litres)
...409.2	CLP VG220 DIN51517-3	Castrol Alpha EP 220	0,3
...410.2	CLP VG220 DIN51517-3	Castrol Alpha EP 220	1,25

Overview of the tightening torques



Pump body plastic	Pump body 1.4571
... 409.2-...ML	15 Nm
... 410.2-135 ML	15 Nm
... 410.2-500 ML /-1200 ML	20 Nm

Changing the Diaphragm

In order to ensure a correct function of the diaphragm pump and to fulfil the required safety and protective provisions it is absolutely necessary to check and replace the diaphragms at regular intervals.

After 3000 operating hours or at the latest after one year, a service message requiring diaphragm replacement is shown on the graphical display of the pump with a control (see additional instructions of the control). An earlier diaphragm replacement can be necessary depending on the medium and the application area.

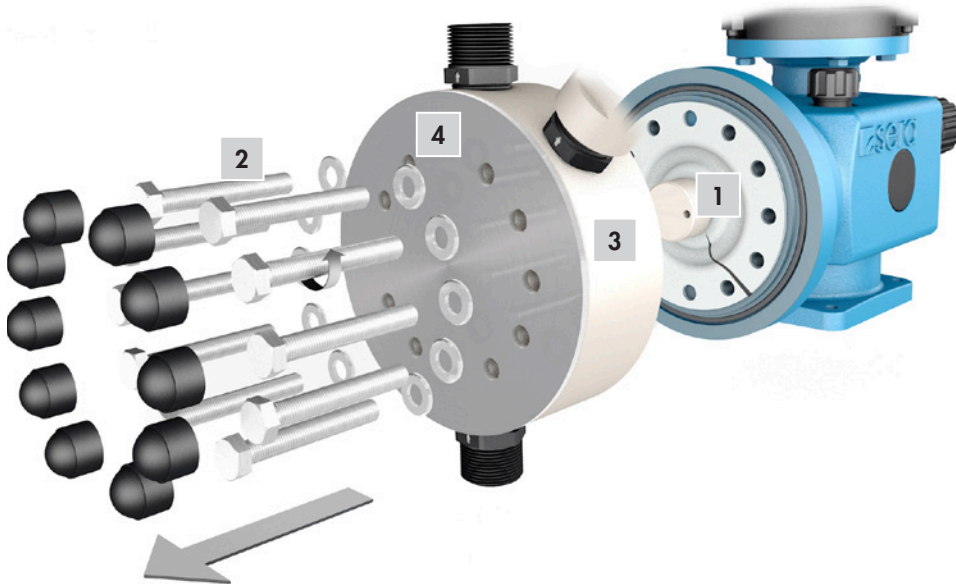
WARNING

Pump with a control:

Observe the instructions on the graphical display for the replacement of wear parts!

The multi-layer diaphragm (1) is to be exchanged as complete pre-assembled diaphragm.

- Set the stroke length adjustment to 0% stroke length (front point).
- Release the fixing screws (2) at the pump body (3).
- Remove the pump body (3) forward as well as the front plate (4) (plastic-design).



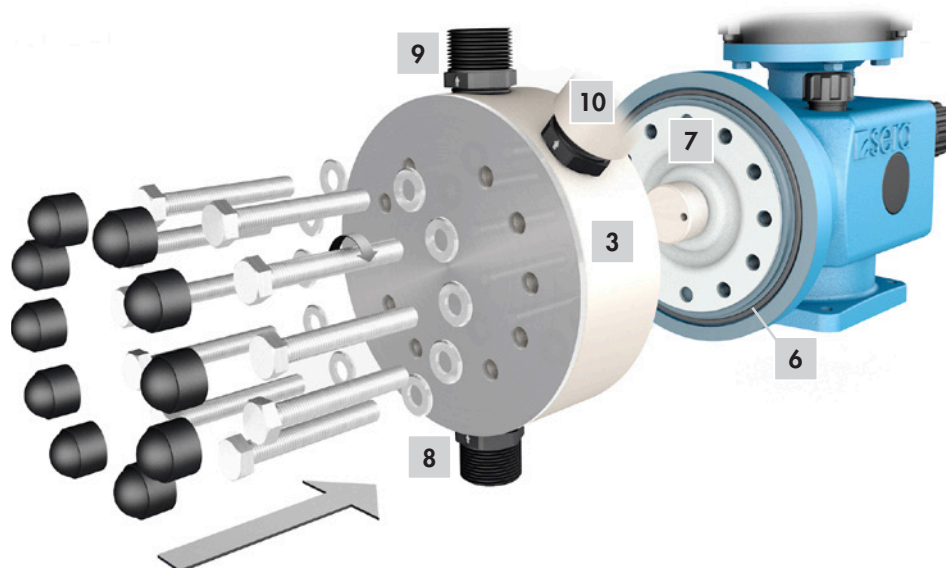
- Screw the multi-layer diaphragm (1) out of the connecting rod (5).
- O-Ring take out of the base ring (6).



- Check signal device visually for any sign of damage.

Assemble the pump in reversed order:

- Insert the new O-Ring (6) into the base ring.
- The new multi-layer diaphragm (7) is screwed in the connecting rod until it stops. If the holes in the diaphragm are not congruent with the threaded holes in the base ring, then the diaphragm must again be screwed out until it is congruent with the threaded holes.
- Diaphragm central position should be equal to a stroke length of 50%; this can for example be achieved by turning the motor fan.
- Screw on the pump body (3) (tightening torques are mentioned see page 53).
- When assembling the pump body, please note: suction valve (8) below, pressure valve (9) above!
- Connect the signal devices (10).



Before reactivating the pump after a diaphragm replacement, remove the air between the diaphragm layers. Proceed as follows:

Diaphragm monitoring by manometer or pressure switch:

- Screw out the signal device.
- Apply delivery pressure and have the pump run for a short period (30s).
- Switch off the pump.
- Screw in the signal device.

MAINTENANCE

Diaphragm monitoring by pressure switch ex-design (R/M 409.2ML / R/M 410.2 ML):

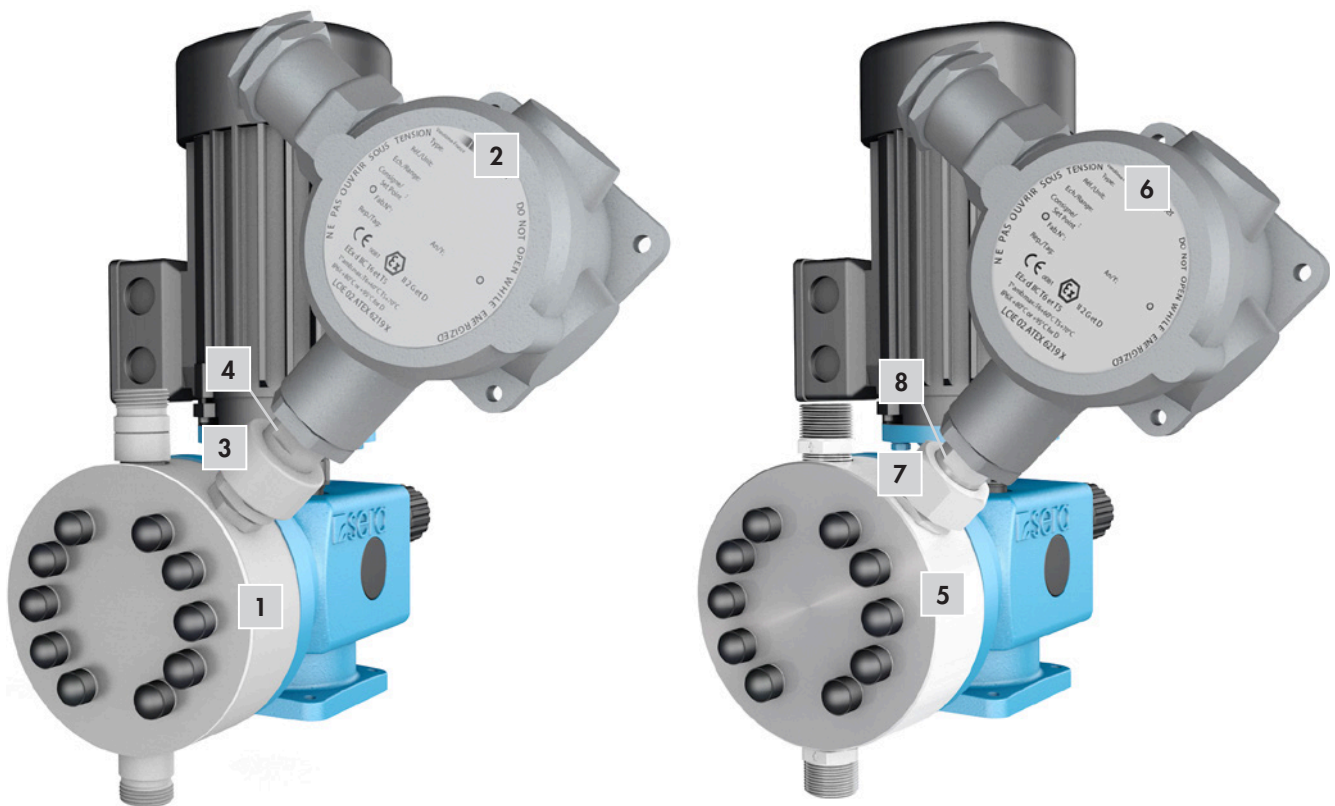
- Release union nut (3/7) and remove the signal device (2/6).
- Apply delivery pressure and have the pump run for a short period (30s).
- Switch off the pump.
- Screw on the signal device (2/6):

Pressure switch is for pump body made of plastic (1):

- Adjust the pressure switch (2) to the desired position.
- Tighten union nut (3) by hand and hold the insert socket (4) by means of an open-end wrench.

Pressure switch is for pump body made of stainless steel (5):

- Screw the pressure switch (6) with union nut (7) on the external thread of the socket.
- Tighten the union nut (7) with an open-end wrench and while doing so, press against with an open-end wrench at the insert socket (8). Adjust the pressure switch (6) to the desired position.



Add the suction and pressure line and connect the pump to the power supply. The pump is then again ready for operation.

Spare and wearing parts

The following parts are considered as wearing parts of the pump:

- Multi-layer diaphragm
- Diaphragm monitoring, complete
- Valve kit (including O-ring kit)
- O-ring kit

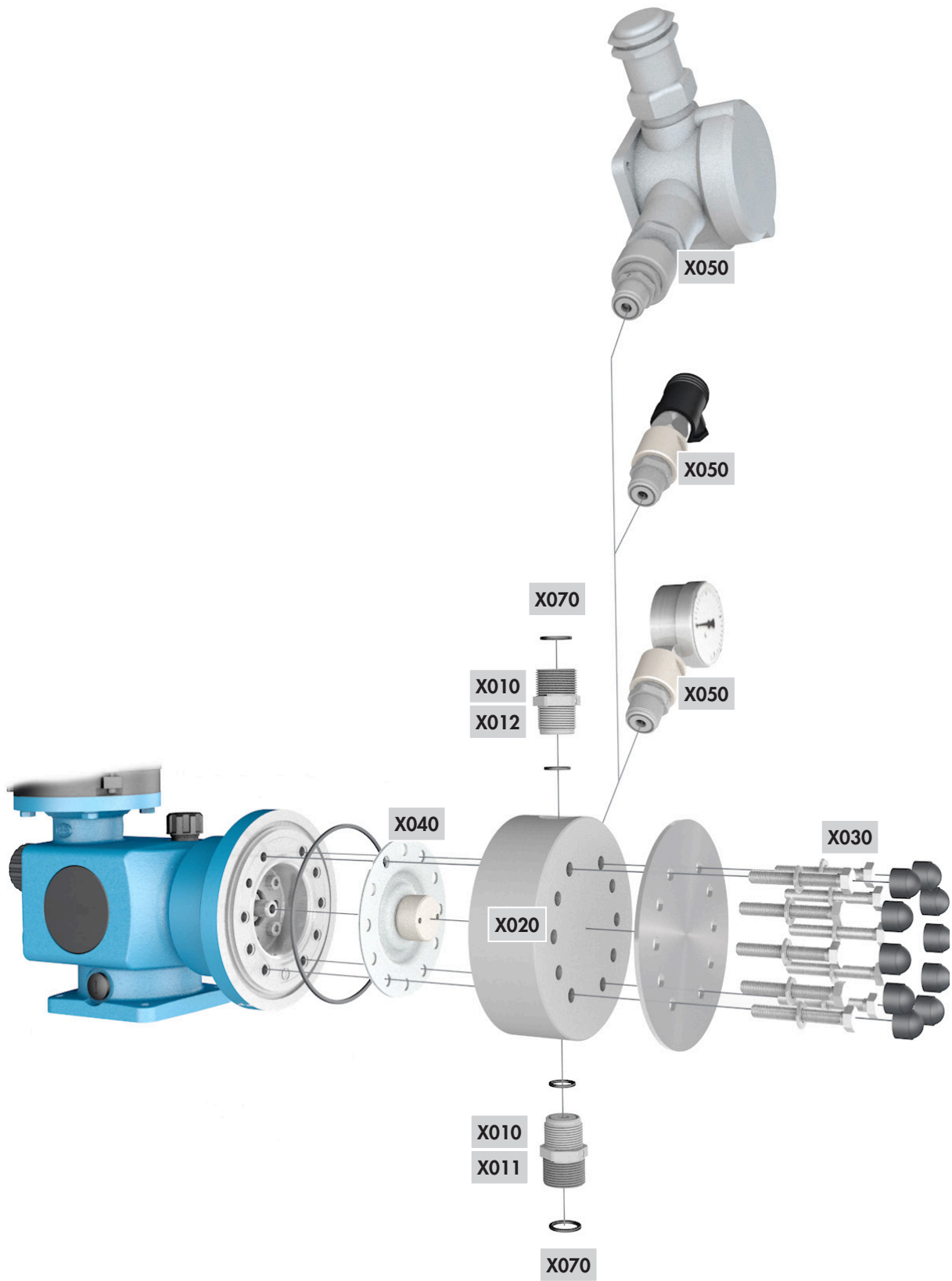
Depending on their use and period of use, wearing parts must be replaced at regular intervals in order to ensure a safe function of the diaphragm pump.

We recommend to replace the wearing parts after 3000 operating hours or at least once a year.

In case of a premature diaphragm rupture caused by hard operating conditions, switch off the diaphragm pump and replace the diaphragms (see chapter „Changing the diaphragm“).

The following parts are considered as spare parts of the pump:

- Pump body kit (including mounting kit)
- Mounting kit



Pos.	Kit	Materials	consisting of
X010	Valves	PVC-U; PP-FRP; PVDF-FRP	Suction valve Pressure valve O-ring kit
X011	Suction valve	1.4571	Suction valve O-ring kit
X012	Pressure valve	1.4571	Pressure valve O-ring kit
X020	Pump body	PVC-U, PP, PVDF	Pump body Front plate Mounting kit O-ring
X020	Pump body	1.4571	Pump body Mounting kit O-ring
X030	Mounting		Screws, complete
X040	Multi-layer diaphragm		Pressure plates Working diaphragm Signal diaphragm Protection diaphragm Set screw
X050	Diaphragm monitoring by manometer (RF-, MF-design)		Diaphragm monitoring complete
X050	Diaphragm monitoring by pressure switch		Diaphragm monitoring complete
X050	Diaphragm monitoring by pressure switch Ex (R-, M-design)		Diaphragm monitoring complete
X070	O-rings		

FAULT ANALYSIS / CORRECTIVE ACTION

sera products are sophisticated technical products which are only shipped after having been thoroughly tested and checked at our factory.

Should there be any faults, these can be detected and rectified easily and quickly based the instructions in the tables.

i NOTE

Analysis of the error messages in the display for the pumps with a control ► see the operation instructions of the control!

Corrective action!	Fault type	Possible cause	Corrective action
Display, LED not lit! ► Pump with control			
Motor does not start! ► diaphragm pump			
Damage to stroke mechanism / drive!			
Pump does not draw in!	■ ■ ■		
Pump does not deliver!	■ ■ ■		
Flow rate is not reached!	■ ■ ■		
Delivery head is not reached!	■ ■ ■ ■ ■		
Flow rate fluctuates!	■ ■ ■ ■ ■		
Maximum permissible flow rate exceeded!			
Pipe oscillates heavily!			
Too high noise development!			
Service life of the drive diaphragm too low!			
Drive is overloaded (periodically occurring noises)!			
Leakage on pump head!			
		Suction height too high.	Reduce suction height or suction resistance.
		Suction pipe leaking.	Check seals, tighten pipe connections.
		Shut-off valves in piping closed.	Open shut-off valves or check opening state ► check pump for possible damage.
		No pumped medium in storage tank.	Fill storage tank.
		Pump valves leaking.	Remove and clean valves.
		Pump valves (ball seats) damaged.	Remove and clean valves, check function; replace valves if necessary.
		Pump valves incorrectly mounted or valve balls missing.	Check installation position and completeness ► replace missing parts or install correctly.
		Filter in suction line clogged.	Clean filter.
		Electrical data of the pump do not match mains data.	Check order data. Check electrical installation. Adjust motor to the network on site (for diaphragm pumps).
		Backpressure too high.	Measure pressure with manometer directly above pressure valve if possible and compare with permissible backpressure.
		Foreign matter in the pump valves.	Remove and clean valves.
		Pressure on suction side higher than at the end of the pressure pipe.	Check geodetic conditions, install float valve or pressure keeping valve if necessary.
		Acceleration height too high due to pipe geometry.	Check acceleration height on suction and pressure sides with manometer and compare with design data ► install a pulsation damper if necessary.
		Materials coming into contact with the medium not suitable for the pumped medium.	Check whether the pumped medium matches the design data and select other materials if necessary.

Fault type										Possible cause	Corrective action							
Corrective action!	Display, LED not lit!	► Pump with control	Motor does not start!	► diaphragm pump	Damage to stroke mechanism / drive!	Pump does not draw in!	Pump does not deliver!	Flow rate is not reached!	Delivery head is not reached!	Flow rate fluctuates!	Maximum permissible flow rate exceeded!	Pipe oscillates heavily!	Too high noise development!	Service life of the drive diaphragm too low!	Drive is overloaded (periodically occurring noises)!	Leakage on pump head!		
						■		■	■	■							Viscosity of the pumped medium too high.	Check viscosity of the pumped medium and compare with design data ► reduce concentration or increase temperature if necessary.
							■	■									Pumped medium is outgassing in the suction pipe and/or the pump body.	Check geodetic conditions and compare with data of the pumped medium. Operate pump with suction side supply, reduce temperature of the pumped medium.
						■											Air in suction line while pressure is present on the pressure side.	Vent pressure side.
	■																Power supply failed / switched off.	Restore power supply.
						■	■	■	■	■							Pipe connections leaking.	Tighten connections according to type of material. Be careful with plastic ► risk of fracture!!
						■	■										Pumped medium frozen in pipe.	Remove pump and check for possible damage - increase temperature of the pumped medium.
■	■					■											No mains power connection.	Connect mains power supply.
						■											Pump valves dry.	Moisten pump body and valves. Open vent valve.
						■	■	■							■		Temperature too low.	Check flowability of the dosing medium. Temperature of the medium see „Technical data“.
						■	■	■	■	■				■	■		Diaphragm rupture.	Replace the diaphragm according to the descriptions in Chapter „Replacing the diaphragm“.
■																	Reversible thermal fuse of the pump has tripped.	Let temperature of the pump cool down. Check ambient temperature.
	■																Fuse in electronics blown. ► Pump with control	Return pump for repair.
						■	■	■	■								Compensating valve not adjusted to operating conditions. ► diaphragm pump KM	Set compensating valve according to operating conditions. ► diaphragm pump KM

**WARNING**

Observe and follow the safety instructions by all means.
See the additional instructions „SAFETY INSTRUCTIONS“.
Man, machine and environment are endangered if the safety instructions are not observed.

**Shut-down**

- Switch off piston diaphragm pump.
- Rinse pump head and remove pumped medium; make sure that the rinsing agent is suitable for pumped medium and pump head.

Disposal

- Shut-down system. Please see "Shut-down".

Dismantling and transport

- Shut-down system. Please see "Shut-down".
- Remove all fluid residues from pump body, clean thoroughly, neutralize and decontaminate.
- Package unit and ship.

**NOTE**

A clearance certificate must be filled in when systems are returned to the manufacturer.
Acceptance will be rejected if this clearance certificate is not attached.

Complete disposal

- Remove all fluid residues from unit.
- Drain off lubricants and dispose of according to regulations!
- Dismount materials and send them to a suitable waste disposal company!

CLEARANCE CERTIFICATE

i NOTE

Inspection / repair of machines and machine parts is only carried out after the clearance certificate was filled in correctly and completely by authorized and qualified personnel.

i NOTE

Acceptance will be refused if parts are returned to the manufacturer without a proper clearance certificate.

All industrial companies are obligated by the legal provisions for occupational health, e.g. the workplaces ordinances, the Ordinance on Hazardous Substances, the regulations for prevention of accidents and the environmental protection regulations such as the Waste Management Act and the German Household Water Act to protect their employees or man and the environment from detrimental effects when handling hazardous substances.

Should special safety precautions be necessary despite careful draining and cleaning of the product the necessary information are to be provided.

Machines which are operated with radioactive media shall only be inspected and/or repaired in the safety area of the owner by a **sera** specialized fitter.


The clearance certificate is part of the inspection-/repair order.
sera reserves the right to refuse acceptance of the order for other reasons.

DOWNLOAD

Clearance certificate

Or directly scan the QR code opposite:



Clearance Certificate 

RECIPIENT


sera ProDos GmbH
Wareneingang z. Hd. Abt. Service
sera Straße 1
D-34376 Immenhausen/Hessen

SENDER

Company: Phone:
Contact partner: Fax:
Street address: E-Mail:
Postcode, City: Your order number:

We confirm that we have entered the information in this clearance certificate (decontamination certificate) correctly and completely and that the returned parts have been carefully cleaned.
The parts sent in are therefore free of residues in dangerous quantities.

Place, Date Department Signature (and company stamp)

www.sera-web.com 

© 2018 sera ProDos GmbH. Alle Rechte vorbehalten. www.sera-web.com ist ein eingetragenes Warenzeichen der sera ProDos GmbH.

FOLLOW US



sera GmbH
sera-Str. 1
34376 Immenhausen
Germany
Tel. +49 5673 999 00
Fax +49 5673 999 01
info@sera-web.com

TM02-06 EN 09/2022. **sera**® is a registered trademark of **sera** GmbH.
Technical details subject to change. **sera** shall not accept any liability for errors or omissions or for printing errors.