

HIGH PRESSURE CLEANER

for commercial use

DAUERBETRIEB
IST UNSER
STANDARD!





HIGH-PRESSURE CLEANER

Stationary (HPCcenter) or mobile (HPCmove)

This unit has been designed for commercial use. The device is a compact model that is particularly space-saving and completely ready for connection with its integrated electrical control system. The high-pressure pump unit can be operated with either fresh water or service water.

DESCRIPTION OF FUNCTION

When the pressure drops (by actuating the spray gun), the device automatically switches on. When the spray gun is closed, the device switches to standby mode after a delay of 3 to 30 seconds (adjustable), and starts up again immediately when the spray gun is actuated.

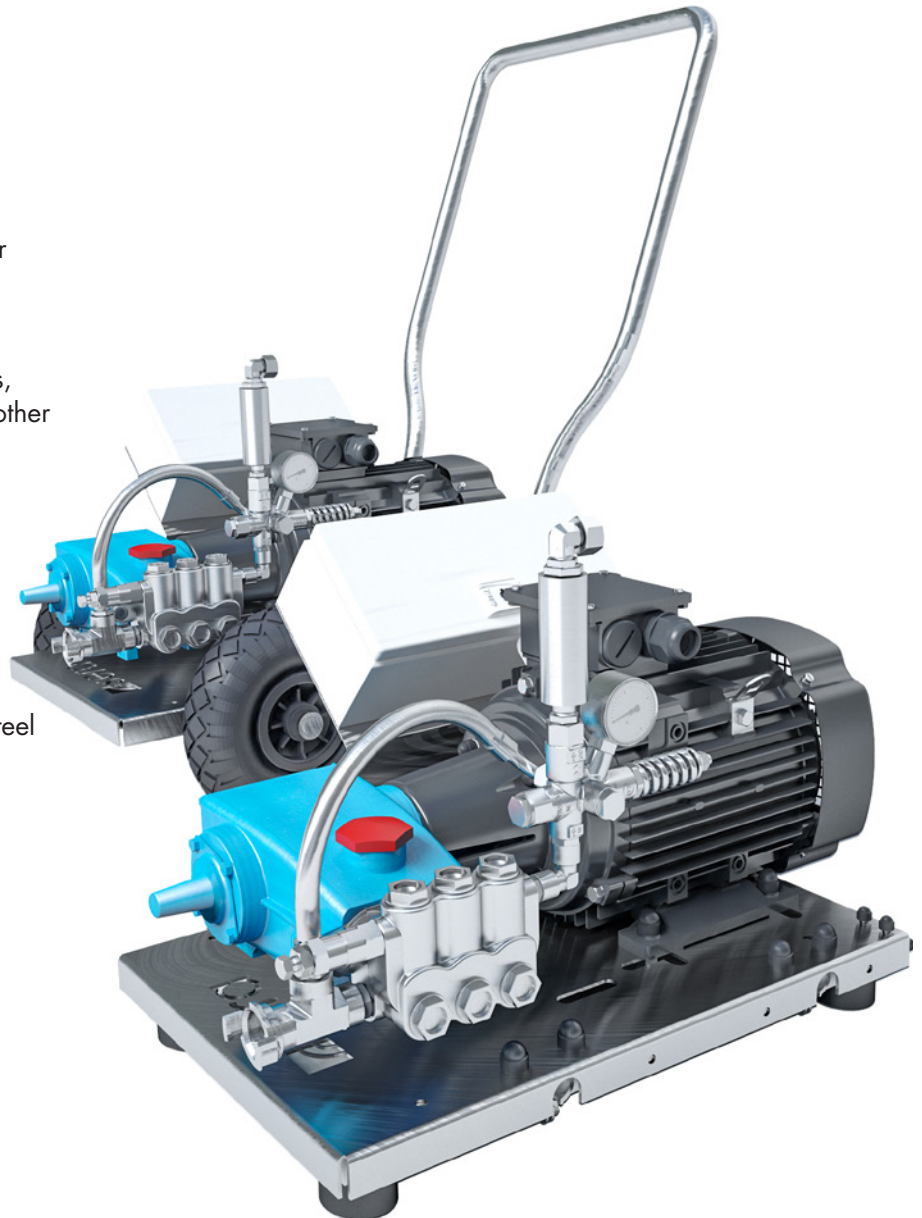
If the water supply is interrupted, the device will not switch on, thus safeguarding against dry running (does not apply to operating without feeding pressure).

OVERVIEW OF ADVANTAGES

- Standardized prewash units
- Compact design
- Integrated control
- Suitable for fresh and process water

HIGH-PRESSURE PUMP

- Pump head corrosion-resistant brass, NiAlBr, stainless steel, duplex and other special materials
- Hard ceramic plunger (solid)
- Valves, valve seats and springs in stainless steel
- Seals made of special material
- Integrated leakage return
- Silent operation
- Cast aluminium crank housing
- Forged crankshaft made of CrMo steel

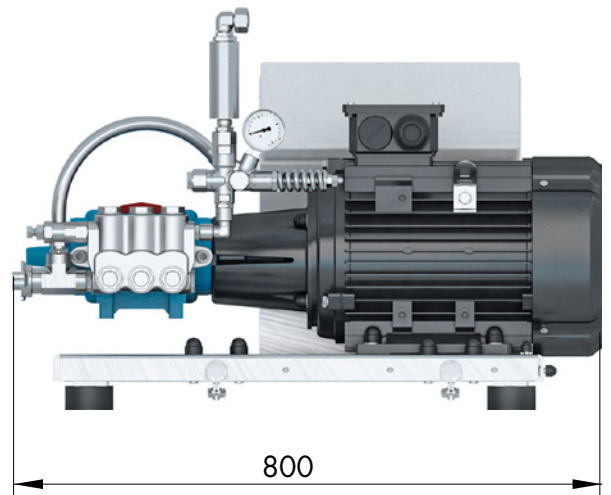
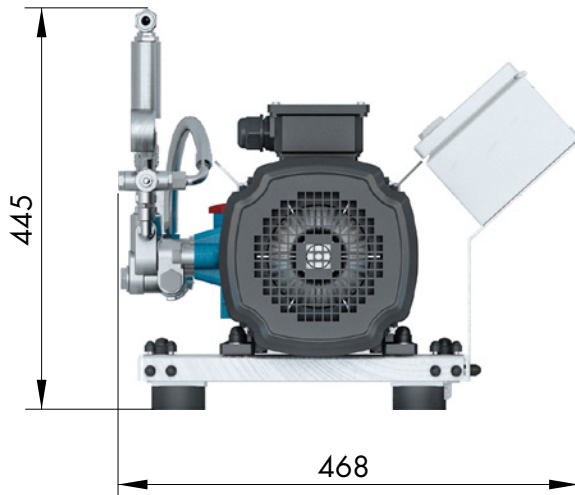


TECHNICAL DATA

High-pressure cleaner stationary (HPCcenter)

Type	Flow rate * [l/min.]	Operating pressure * [bar]	Speed [min ⁻¹]	Motor power [kW]
HPC 15/200 C	15	200	1.450	5,5

*Other flow rate and operating pressures on request.

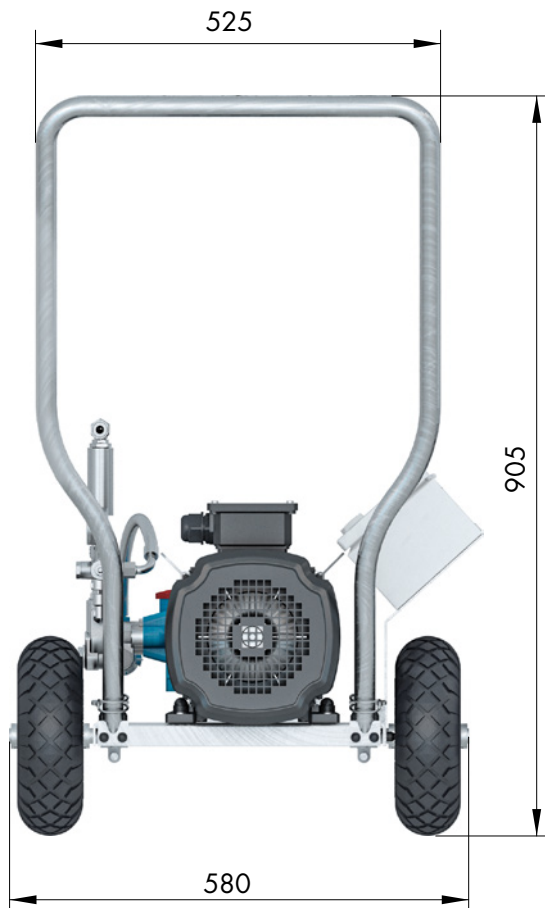


TECHNICAL DATA

High-pressure cleaner mobile (HPCmove)

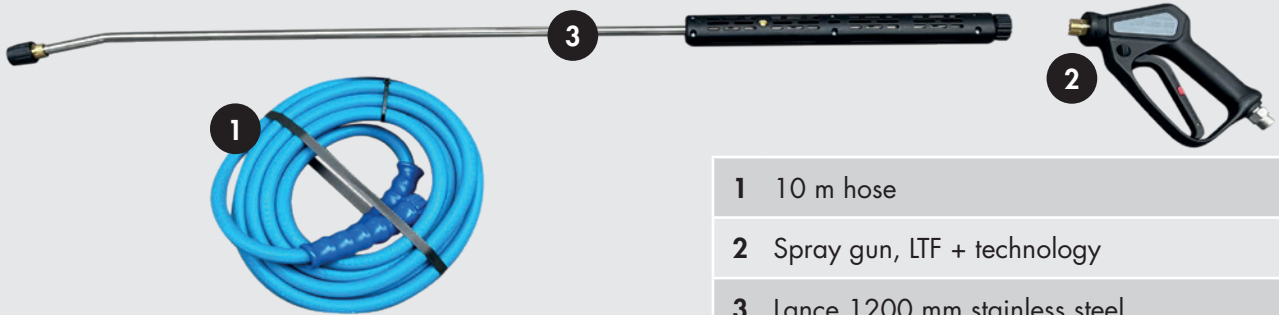
Type	Flow rate * [l/min.]	Operating pressure * [bar]	Speed [min ⁻¹]	Motor power [kW]
HPC 15/200 M	15	200	1450	5,5

*Other flow rate and operating pressures on request.



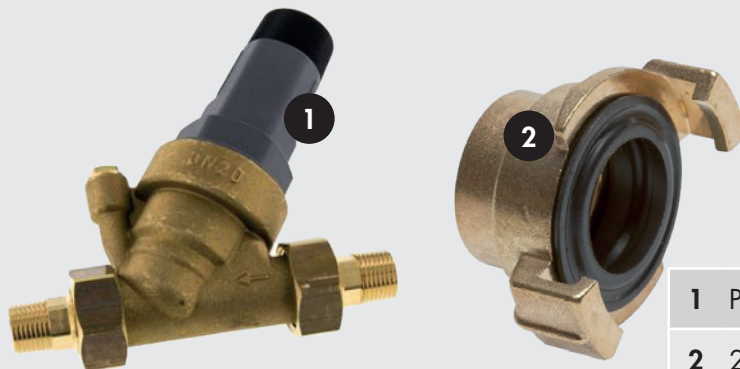
ACCESSORIES FOR HIGH-PRESSURE CLEANER

Spray lance kit (Article no.: 37608159)



- | | |
|---|-------------------------------|
| 1 | 10 m hose |
| 2 | Spray gun, LTF + technology |
| 3 | Lance 1200 mm stainless steel |

Pressure reducer complete set for chemical-free water (Article no.: 37608158)



- | | |
|---|--|
| 1 | Pressure reducer, brass, 1,5 - 6 bar, DN15 |
| 2 | 2x GEKA-coupling, brass |

ACCESSORIES FOR HIGH-PRESSURE CLEANER

Nozzle kit (Article no.: 37608159)



1 Flat jet nozzle 25

2 Dirt cutter

other nozzle variants on request

Hose reels ¹⁾ (Article no.: 90054402) Plastic, for dry area



¹⁾ fit to 10 m hose

Hose reels ¹⁾ (Article no.: 90053055) Stainless steel, for Ex area



Wall bracket ²⁾ (Article no.: 90054400)



²⁾ only for the hose reels listed above

Wall swivel bracket (Article no.: 90054401)



FOLLOW US

